



Trinocular Head Metallurgical Laboratory Microscopes 40X - 400X A13.1022

Our Product Introduction

Basic Information

- Place of Origin: China
- Brand Name: CNOEC, OPTO-EDU
- Certification: CE, Rohs
- Model Number: A13.1022
- Minimum Order Quantity: 1 pc
- Price: FOB \$1~1000, Depend on Order Quantity
- Packaging Details: Carton Packing, For Export Transportation
- Delivery Time: 5~20 Days
- Payment Terms: T/T, West Union, Paypal
- Supply Ability: 5000 pcs/ Month



Product Specification

- Application: Metallurgical
- Certification: CE
- Drawtube: Trinocular
- Illumination: Halogen Lamp
- Highlight: **reflected light microscope, bright field microscope**



for more products please visit us on cnoec.com

More Images



Product Description

Trinocular Head Metallurgical Laboratory Microscopes 40X - 400X A13.1022

A13.1022 Inverted Metallurgical Microscope , With stable stand structure, advanced stage design and comfortable operation, it is widely used in institute and laboratory to observe, identify the structure of various metal, alloy and other materials.

- Infinity Optical System Supply High Quality Optical Image
- Eyepiece EW10x/20mm, High Eyepoint
- Infinity Plan **Metallurgical** Coverless Achromatic Objective
- External Kohler Illumination, Halogen Lamp 6V30W

A13.1022 Inverted Metallurgical Microscope			
Optical System	Infinity Optical System		
Head	Seidentopf Trinocular Head, 30° Inclined, Interpupillary 48~75mm, Diopter Adjustable		
Eyepiece	Extra Wide Field Eyepiece EW10x/20mm, High Eyepoint		
Nosepiece	Quintuple Nosepiece		
Objective	Infinity Plan Metallurgical Coverless Achromatic Objective	4x/0.1/∞/-, W.D.17.3mm	
		10x/0.25/∞/-, W.D.10.2mm	
		20x/0.4/∞/-, W.D.5.1mm	
		40x/0.65/∞/-, W.D.0.52mm	
Focusing	Coaxial Coarse & Fine Adjustment, Coarse Stroke 37.7mm Per Rotation, Fine Stroke 0.2mm Per Rotation		
Working Stage	Plain Stage 160*250mm With Slide Clips		
Polarizing	Polarizing Attachment		
Filter	Green, Blue, Yellow, Ground Glass, Dia.45mm		
Illumination	External Kohler Illumination, Halogen Lamp 6V30W, Brightness Adjustable		
A13.1022 Inverted Metallurgical Microscope Optional Accessories			
Objective	Infinity Plan Metallurgical Coverless Achromatic Objective	5x/0.12/∞/-, W.D.15.4mm	A5M.1035-5
		50x/0.75/∞/-, W.D.0.32mm	A5M.1035-50
		80x/0.9/∞/-, W.D.0.20mm	A5M.1035-80
		100x/0.9/∞/0, W.D.0.7mm	A5M.1035-100
Working Stage	Attachable Mechanical Stage, X-Y Coaxial Control, Moving Range 120*78mm		A54.1006-XY
	Auxiliary Stage 70*180mm		A54.1006-A
Adapter	Photo Adapter		A55.1001
	C-Mount 1.0x		A55.1002-10
	C-Mount 0.5x		A55.1002-05



A13.1022 Inverted Metallurgical Microscope System Size

Trinocular Head, Inclined 30, Interpupillary 48~75mm
High Eyepoint Extra Wide Field Eyepiece EW10x/20mm



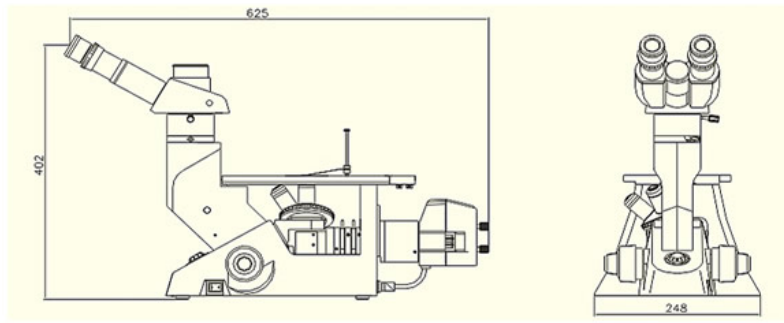
www.cnoec.com



Plain Stage 160*250mm With Slide Clips
Extrnal Kohler Illumination Halogen Lamp 6V30W ,
Center Adjustable



Light Source Switch And Brightness Adjust Knob
Coaxial Coarse & Fine Focusing, Vertical Objective Movement



A13.1022 Inverted Metallurgical Microscope System Size



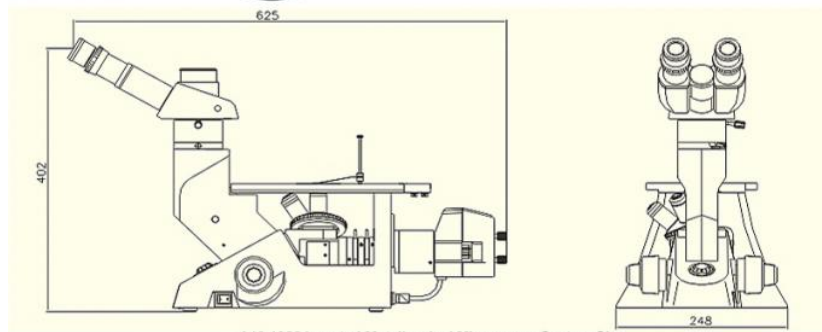
Trinocular Head, Incined 30, Interpupillary 48~75mm
High Eyepoint Extra Wide Field Eyepiece EW10x/20mm



Plain Stage 160*250mm With Slide Clips
Extrnal Kohler Illumination Halogen Lamp 6V30W , Center Adjustable



Coaxial Coarse & Fine Focusing, Vertical Objective Movement
Light Source Switch And Brightness Adjust Knob



A13.1022 Inverted Metallurgical Microscope System Size



Opto-Edu (Beijing) Co., Ltd.

☎ 0086 13911110627

✉ sale@optoedu.com

🌐 cnoec.com

F-1501 Wanda Plaza, No. 18 Shijingshan Road, Beijing 100043, China