



Infinity Binocular / Trinocular 40x - 400x Polarized Light Microscope with Koehler A15.0903

Our Product Introduction

Basic Information

- Place of Origin: China
- Brand Name: CNOEC
- Certification: CE
- Model Number: A15.0903
- Minimum Order Quantity: 1
- Price: Negotiation
- Packaging Details: Carton
- Delivery Time: 1month
- Payment Terms: T/T, West Union and Paypal
- Supply Ability: 10000

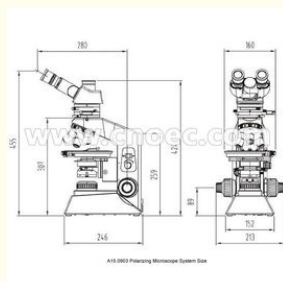


Product Specification

- Application: Metal
- Certification: CE
- Drawtube: Binocular
- Illumination: Halogen Lamp
- Highlight: **student compound microscope , compound light microscope**



More Images



for more products please visit us on cnoec.com

Product Description

Reversed 40x - 400x Polarized Light Microscope , Infinity Corrected Optical System A15.0903

A15.0903 Polarizing Microscope, provide superior optical system and reliable operating mechanism, clear image, easy operating, widely used in component analysis and identificator on a variety of mineral specimens and sample slices under polarized light.

- Long Working Distance Infinity Plan Destressing Objectives Provide Excellent Image
- Professional Metal Rotary Stage, Particularly Craftwork, Wear-resistant and Resisting Corrode.
- Smooth Rotating, Comfortable Operation, With Locking Device, Easy to Use
- Shaply Configuration, the Inverted "Y" Shape Ensure The Stability and Rigidity

A15.0903 Polarizing Microscope		A	B
Head	Infinity Gemel Binocular, 30° Inclined, 360° Rotatable, Interpupillary Distance 54~75mm, Diopter Adjustable +/-5°	o	
	Infinity Gemel Trinocular, 30° Inclined, 360° Rotatable, Interpupillary Distance 54~75mm, Diopter Adjustable +/-5°		o
Eyepiece	High Eyepoint Plan PL10x/18mm		
	High Eyepoint Plan PL10x/18mm, with Retical Micrometer		
Objective	Infinity Plan Stress Free Objective	4x/0.10	
		10x/0.25	
		40xs/0.65	
Nosepiece	Reversed Quadruple		
Focusing	Coaxial Coarse & Fine Focusing, With Tension Adjustable and Limited Stopper, Coarse Focus Range 28mm, Fine Focusing Precision 0.002mm		
Stage	Round Stage Dia.160mm, 360° Rotatable, 1° Increments, a Dose Value of Vernier 6', Wlth Locking Device Special Metal Composing, Particularly Craftwork, Wear-Resistance and Resisting Corrode, with Micrometer 0.01mm Increments		
Condenser	Koehler Abbe Condenser 1.25, Stress Free		
Filter	Yellow, Dia.45mm		
Illumination	Transmit Illumination: Built-in Koehler Illumination, 6V30W Halogen Lamp, Precentered, With Continuously Intensity Control		
Polarizing	Intermediate Tube, with Built-in Analyser, 90° Rotary and Can Shift Out the Optical Way, --Bertrand Lens, --Polarizer, 360° Rotatable, 0,90,180,270 Four Type Graduations --Analyser, 360° Rotatable, 2° Increments, a Does Value of Vernier 6'		
	--Gyps 1λ , Dia.18mm, Optical Path Difference 551nm --Mica 1/4λ , Dia.18mm, Optical Path Difference 147.3nm --Quartz Wedge 12*28mm		
Power	90-240V Wide Voltage		
A15.0903 Polarizing Microscope Optional Accessories			
Eyepiece	Wide Field WF15x/13mm	A51.0902-1513	
	Wide Field WF20x/10mm	A51.0902-2010	
	High Eyepoint Plan PL10x/20mm	A51.0903-1020	
	High Eyepoint Plan PL10x/18mm, with Cross PL10x18g,	A51.0905-1018g	
Objective	Infinity Plan Stress Free Objective 20x/0.40	A5P.0931-20	
	Infinity Plan Stress Free Objective 60xs/0.85	A5P.0931-60	
Filter	Green, Dia.45mm	A56.0935-XYG	
	Blue, Dia.45mm	A56.0935-XYB	
	Netural, Dia.45mm	A56.0935-XYF	
Dark Field	Dark Field Slide, for Koehler Illuminaiton 4x~40x	A5D.0915-K	
Adapter	0.5x C-Mount, for 1/2" CCD, Focus Adjustable	A55.0925-50	
	0.35x C-Mount, for 1/3" CCD,Focus Adjustable	A55.0925-35	
	Photo Adapter, with 3.2x Photo Eyepiece, PK or MD Mount	A55.0901-2	



A15.0903-A Polarizing Microscope

A15.0903-B Polarizing Microscope



High Eyepoint Plan Eyepiece PL10x/18mm, PL10x/20mm, WF16x/14, WF20x/10, High Eyepoint Plan Eyepiece With Retical PL10x/18R,



Plan Strain-Free Objectives 4x, 10x, 20x, 40x, 60x Achromatic Objectives 4x, 10x, 20x, 40x, 60x



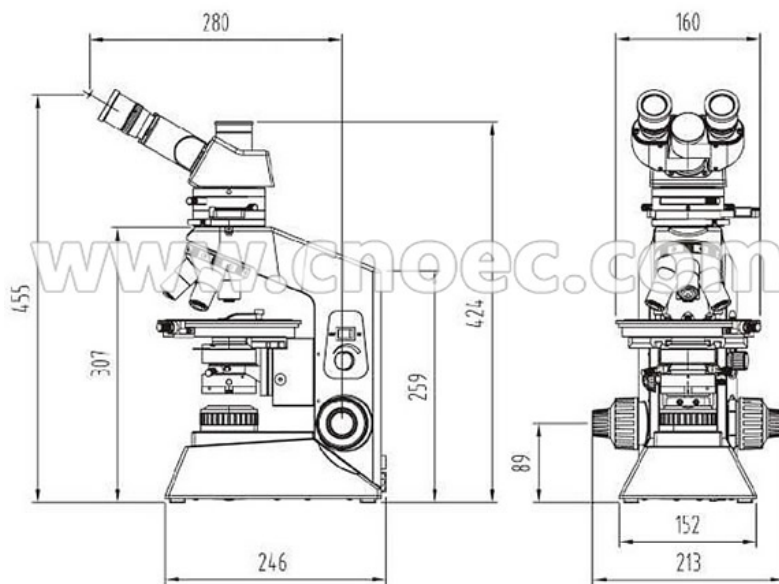
Analyser Flashboard, 360° Rotatable, 0,90, 180,270 Four Type Graduations

Pull and Push Analyser Flashboard Setting Position, Bertrand Lens, Adjustable Center and Focal Length



Compensator, λ plate, $\lambda/4$ plate, Quartz Wedge 12*28mm

Koehler Illumination, 6V20W Halogen Lamp, or 3W LED, Precentered, Intensity Control. N.A.1.25 Stress Free Abbe Condenser



A15.0903 Polarizing Microscope System Size



A15.0903-A Polarizing Microscope



A15.0903-B Polarizing Microscope

www.cnoec.com



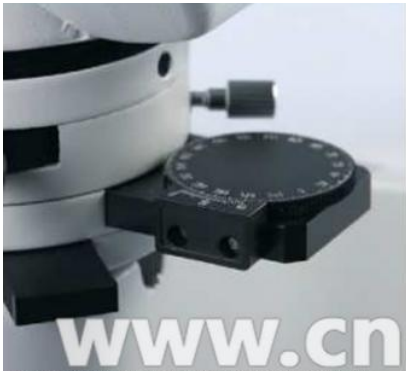
High Eyepoint Plan Eyepiece PL10x/18mm, PL10x/20mm, WF16x/14, WF20x/10, With Retical PL10x/18R.



Plan Strain-Free Objectives 4x, 10x, 20x, 40x, 60x



Achromatic Objectives 4x, 10x, 20x, 40x, 60x



Analyser Flashboard, 360° Rotatable, 0,90,180,270 Four Type Graduations



Pull and Push Analyser Flashboard Setting Position, Bertrand Lens, Adjustable Center and Focal Length

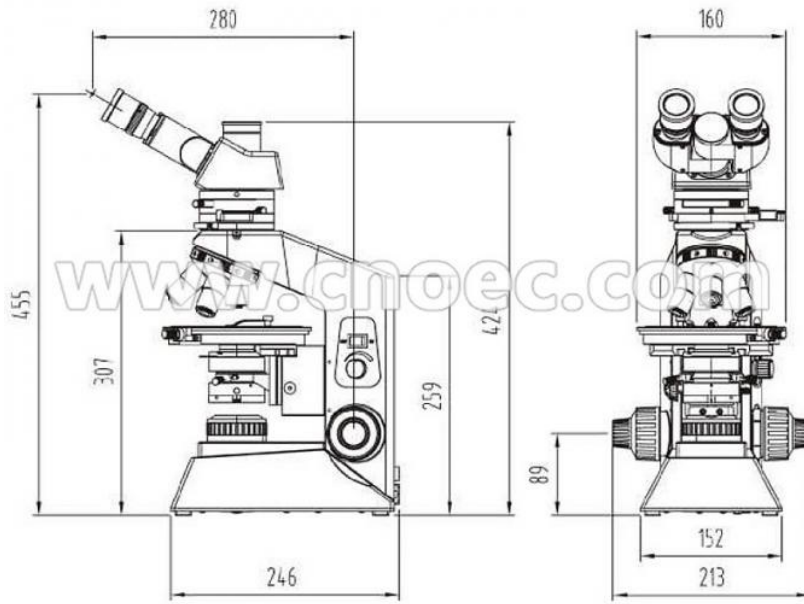
www.cnoec.com



Compensator, λ plate, $\lambda/4$ plate, Quartz Wedge 12*28mm



Koeher Illumination, 6V20W Halogen Lamp, or 3W LED Single Bulb, Precentered, Continuously Intensity Control, N.A.1.25 Stress Free Abbe Condenser



A15.0903 Polarizing Microscope System Size



Opto-Edu (Beijing) Co., Ltd.

☎ 0086 13911110627

✉ sale@optoedu.com

🌐 cnoec.com

F-1501 Wanda Plaza, No. 18 Shijingshan Road, Beijing 100043, China