



## 1000X Optical Biological Compound Microscope Achromatic A11.0204

Our Product Introduction

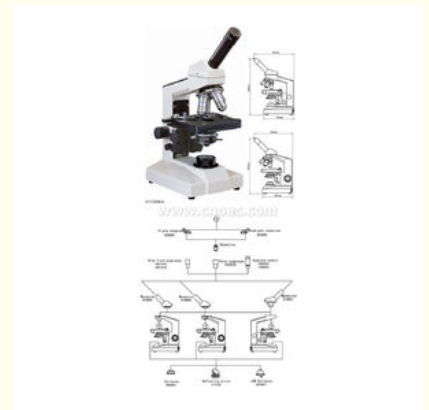
### Basic Information

- Place of Origin: China
- Brand Name: CNOEC, OPTO-EDU
- Certification: CE, Rohs
- Model Number: A11.0204
- Minimum Order Quantity: 1 pc
- Price: Negotiation
- Packaging Details: Carton Packing, For Export Transportation
- Delivery Time: 5~20 Days
- Payment Terms: T/T, West Union, Paypal
- Supply Ability: 5000 pcs/ Month



### Product Specification

- Applications: School
- Certification: CE
- Drawtube: Monocular
- Illumination: LED
- Product Name: Microscope
- Theory: Biological Microscope
- Highlight: **high powered microscope ,  
binocular biological microscope**



for more products please visit us on [cnoec.com](http://cnoec.com)

## Product Description

### 1000X Optical Biological Compound Microscope Achromatic A11.0204

This microscope is the conveniently operated optical instruments with excellent functions and new pattern it is very suitable for usage in medical test, teaching and microobservation in hospitals and schools.

--Equipped with achromatic objectives and wide-field eyepieces, providing clear and bright view.

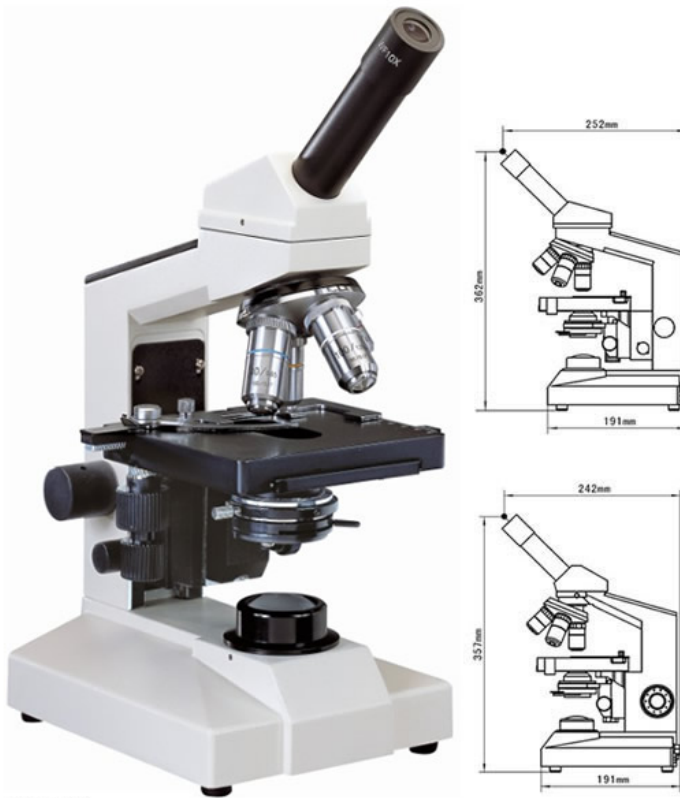
--Double layer mechanical stage

--Illumination with 110/220V 15W ordinary lamp.

--Selectable focus systems: Model A with separate coarse/fine focus system and Model B with coaxial coarse and fine focus system.

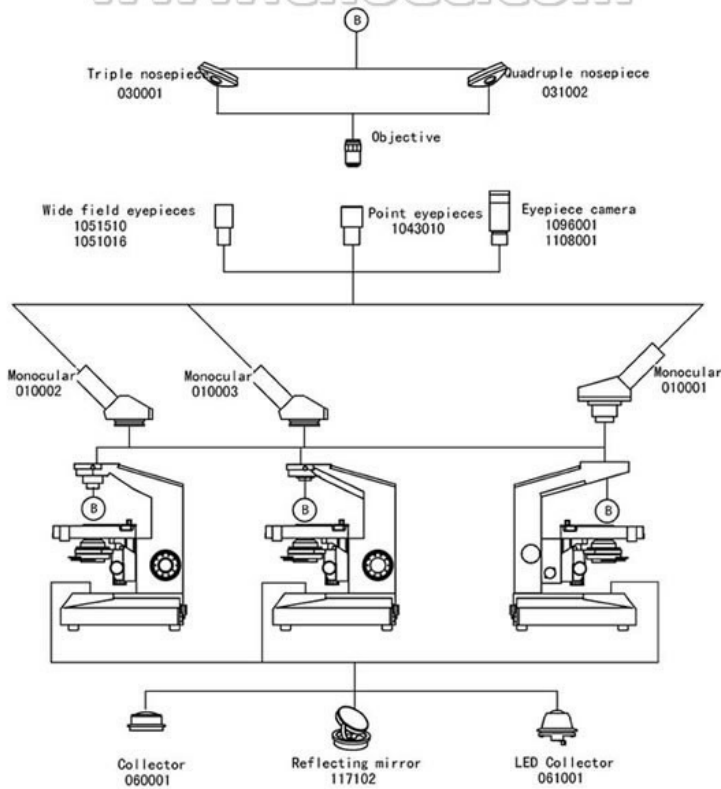
Specification	A11.0204-A	A11.0204-B
Eyepiece	WF10X(Φ18mm)	
Objective	Achromatic 4X/0.10	
	Achromatic 10X/0.25	
	Achromatic 40X/0.65(Spring)	
	Achromatic 100X/1.25(Spring, oil)	
Head	Monocular, 360° rotatable, inclination of 45°	
Focus System	Separate coarse/fine system focus, Minimum division of fine focusing: 4μm	Coaxial coarse/fine system focus, Minimum division of fine focusing: 4μm
Nosepiece	Quadruple(Frontward ball bearing outer locating)	
Stage	Double layer mechanical, size 125x115mm, moving range 70x30mm	
Abbe Condenser	N.A.1.25 Rack & pinion adjustment	
Filter	Blue filter	
	Frosted filter	
Collector	For incandescent lamp	
Light source	220V/110V 20W, incandescent lamp	

Optional Accessories	Item No.	
Eyepiece	Wide field WF16x/11mm	A51.0203-16A
	Point 10x/18mm	A51.0204
Nosepiece	Triple nosepiece (Frontward ball bearing outer locating)	A54.0201
Filter	Green filter	A56.0209-2
	Yellow filter	A56.0209-3
Light Source	Fluorescent lamp, 5W, 110V/220V	A56.0202-1
	LED Illumination, High brightness white	A56.0204-1
	Transformer for LED Input: 230V~50/60HZ, Output: 9V, 500mA	A56.0205-1
	Transformer for LED Input: 110V~50/60HZ, Output: 9V, 500mA	A56.0205-2
	Reflecting mirror, Plane-concave reflecting mirror with stand	A56.0206-1



A11.0204-A

www.cnoec.com



Opto-Edu (Beijing) Co., Ltd.

☎ 0086 13911110627

✉ sale@optoedu.com

🌐 cnoec.com

F-1501 Wanda Plaza, No. 18 Shijingshan Road, Beijing 100043, China