



Infinity Binocular Compound Microscope With Infinity Plan Objective A12.0908

Our Product Introduction

for more products please visit us on cnoec.com

Basic Information

- Place of Origin: China
- Brand Name: CNOEC, OPTO-EDU
- Certification: CE, Rohs
- Model Number: A12.0908
- Minimum Order Quantity: 1 pc
- Price: FOB \$1~1000, Depend on Order Quantity
- Packaging Details: Carton Packing, For Export Transportation
- Delivery Time: 5~20 Days
- Payment Terms: T/T, West Union, Paypal
- Supply Ability: 5000 pcs/ Month



Product Specification

- Applications: Laboratory
- Certification: CE
- Drawtube: Trinocular
- Illumination: LED
- Theory: Biological Microscope
- Highlight: **binocular compound microscope, wide field microscope**



More Images



Product Description

Infinity Binocular Compound Microscope With Infinity Plan Objective A12.0908

- Infinity color corrected optical system, new upgraded Koehler illumination system, presents a clear & bright micro-image under each magnification.
- Fire-new ergonomic design, steady system structure, easy operation, is suitable for various working environments.
- "Building blocks" design for combining multiple functions, fluorescence, phase contrast, polarizing, dark field attachments can be assembled on the basis of bright field observation.
- Widely apply to clinical diagnosis, teaching experiment, pathological test and other micro-fields.

Our Product Introduction

A12.0908 Specification		A	B
Optical system	Infinity color corrected optical system	*	*
Head	Compensation binocular head, 30° inclined, 360° rotatable, interpupillary distance 54-75mm, diopter +/-5 adjustable.	*	*
	Compensation trinocular head, 30° inclined, 360° rotatable, interpupillary distance 54-75mm; splitting ratio R:T=100:0 or 0:100; diopter +/-5 adjustable.	*	*
Eyepiece	High eye-point wide field plan eyepiece PL10x22mm, reticle can be assembled.	*	*
Objective	Infinity plan achromatic objectives 4x ,WD=7.18mm	*	*
	Infinity plan achromatic objectives 10x ,WD=4.70mm	*	*
	Infinity plan achromatic objectives 20x ,WD=1.75mm	*	*
	Infinity plan achromatic objectives 40x (Spring),WD=0.72mm	*	*
	Infinity plan achromatic objectives 100x (Spring, Oil),WD=0.15mm	*	*
Nosepiece	5 Holes revolving nosepiece, inward	*	*
Focusing	Coaxial focus system with upper limited and tension adjustment; coarse range: 25mm; fine precision: 0.002mm; focus height adjustable.	*	*
Stage	175x145mm double layer mechanical stage, rotatable; with special fabrication processing, anti-corrosive and anti-friction; X, Y moving hand wheel in right or left hand; moving range: 76x50mm, precision : 0.1mm.	*	*
Condenser	N.A.1.2/0.22 swing-out type achromatic condenser	*	*
Light Source	6V/30W halogen, pre-centered, intensity adjustable.	*	*
Filter	Blue	*	*
Optional Accessories			
Eyepiece	High eye-point PL10x/22mm with micrometer, diopter adjustable	A51.0905-1022R	
	High eye-point PL15x/16mm	A51.0903-1516	
Objective	Infinity plan achromatic objectives 2x	A52.0902-2	
Nosepiece	4 Holes revolving nosepiece, inward	A54.0930-BS4	
Phase Contrast Attachment	Infinity plan phase contrast objectives 10X,WD=4.70mm	A5C.0901	
	Infinity plan phase contrast objectives 20X,WD=1.75mm		
	Infinity plan phase contrast objectives 40X,WD=0.72mm		
	Infinity plan phase contrast objectives 100X,WD=0.15mm		
	N.A.1.25 five holes phase contrast condenser(Infinity) Centering Telescope Filter		
Polarizing Attachment	Polarizer (ø45)	A5P.0913-P	
	Analyzer 360° rotatable;	A5P.0913-A	
	λ Slide	A5P.0913-C1	
	Rotatable Working Stage polarizer and analyzer can be out of light path.	A5P.0913-RW	
Dark Field Condenser	N.A.0.9dry	A5D.0913-D	
	N.A.1.25immersion	A5D.0913-W	
CCD adapter	1x C-Mount,Focus Adjustable	A55.0926-10	
	0.50x, For 1/2" C-Mount,Focus Adjustable	A55.0926-50	
	0.67x, For 2/3" C-Mount,Focus Adjustable	A55.0926-67	



Fire New Designed telecentric kohler illumination system, working with N.A. 1.2/0.22 swing out achromatic condenser, applies to 2x~100x observation.



Double layer mechanical stage 175*145mm, with operating handle in right hand,moving range 76*50mm, double slide holder to compare and analyzing 2 slides comparatively.





Safe Carrying Design

The hole on the back of the body make it safe and easy to carry the microscope anywhere

Screwdriver Placement

To make the the best of available space, placing a screwdriver within touch, improves your working efficiency



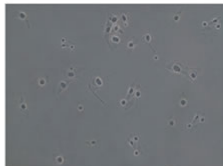
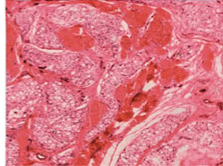
LPlan Series Infinity Plan Achromatic Objectives, designed for observing lab pathology and biological cell slices, present sharp and contrast image, work well even in fluorescence observation



Plan-Ph series Infinity Phase Contrast Objectives, improve clarity and contrast, especially suitable to observe colorless or light-colored cells.



A12.0908 Laboratory Microscope

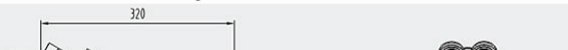


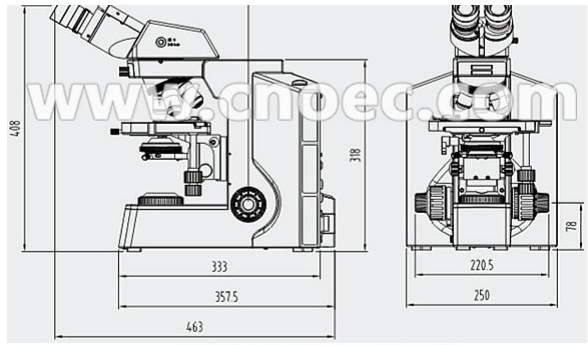
Newly designed intergrative Y shape body, all metal diecasted under high pressure, high stability, no image dithering under high magnification observation, ensure the precision of multi-channel fluorescence diagnosis.



A12.0908 Laboratory Microscope

Newly designed intergrative Y shape body, all metal diecasted under high pressure, high stability, no image dithering under high magnification observation, ensure the precision of multi-channel fluorescence diagnosis.





A12.0908 Laboratory Microscope System Size



A13.0909

Metallurgical Microscope



A15.0908

Polarizing Microscope



A16.0908

Fluorescence Microscope



A16.0909

Digital Fluorescence
Microscope



Opto-Edu (Beijing) Co., Ltd.

☎ 0086 13911110627

✉ sale@optoedu.com

🌐 cnoec.com

F-1501 Wanda Plaza, No. 18 Shijingshan Road, Beijing 100043, China