



# Infinity Industry Monocular / Trinocular DIC Metallurgical Optical Microscope A13.0217

Our Product Introduction

## Basic Information

- Place of Origin: China
- Brand Name: CNOEC, OPTO-EDU
- Certification: CE, Rohs
- Model Number: A13.0217
- Minimum Order Quantity: 1 pc
- Price: FOB \$1~1000, Depend on Order Quantity
- Packaging Details: Carton Packing, For Export Transportation
- Delivery Time: 5~20 Days
- Payment Terms: T/T, West Union, Paypal
- Supply Ability: 5000 pcs/ Month



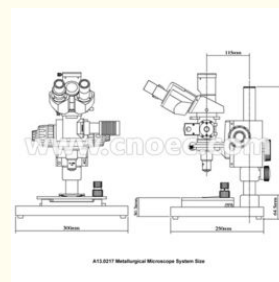
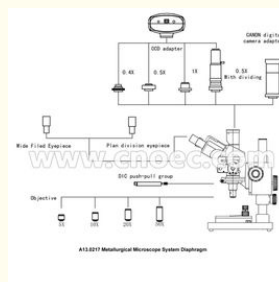
## Product Specification

- Highlight: reflected light microscope, halogen lamp microscope



for more products please visit us on cnoec.com

## More Images



## Product Description

### Infinity Industry Monocular / Trinocular DIC Metallurgical Optical Microscope A13.0217

**A13.0217 DIC Metallurgical Microscope**, used for biology medicine agriculture and industry area widely. It is the ideal instrument in medical treatment, teaching demonstration and scientific research.

- High Quality Infinity Optical System
- Monocular, Trinocular Head Optional
- DIC Slide For 5x/10x/20x Objective
- Strainfree Infinity LWD Plan Achromatic 5x,10x,20x Optional
- Polarizing System, Switch In/Out Of Light Path

A13.0217 DIC Metallurgical Microscope		A	B
System	Infinity Optical System, Total Magnification 100x		
	Mechanical Tube Length ∞		
	Objective Conjugate Distance∞		
Head	Monocular	o	
	Trinocular Head, 30° Inclined, Light Separate Ratio 80:20		o
Eyepiece	WF10x/18mm, Eyepiece Tube Dia.23.2mm, Parfocal Distance 10mm		
Objective	Strainfree LWD Infinity Plan Achromatic PL10x/0.25, W.D.20.2mm		
Working Stage	Double Layer Mechanical Stage 180*145mm, Moving Range 35*30mm		
Focusing	Coaxial Coarse & Fine Focus Knob, Tension Adjustable, Minimum Division 0.002mm, Height Adjustabout 133mm, Max Sample Height 130mm		
DIC	DIC Slide Match 5x/10x/20x Objectives, Horizontal Adjustable		
Polarizing	Polarizer, 360° Rotatable, Switch In/Out		
	Analyser, Switch In/Out		
Light Source	Coaxial Illumination, High Light LED, Brightness Adjustable		
Power	Wide Range Voltage 85~265V, 50/60Hz		
Optional Accessories			
Eyepiece	WF15x/11mm		A51.0203-16A
	WF20x/11mm		A51.0203-20A
Objective	Strainfree LWD Infinity Plan Achromatic PL5x/0.1,W.D.18.2mm		A5M.0235-5A
	Strainfree LWD Infinity Plan Achromatic PL20x/0.4,W.D.8.8mm		A5M.0235-20
	CCD Adapter 0.4x		A55.0202-01
	CCD Adapter 0.5x		A55.0202-04
Adapter	CCD Adapter 1.0x		A55.0202-02
	CCD Adapter 0.5x With Dividing 0.1mm/Divv		A55.0202-03
	Digital SLR Camera Adapter for Canon EF Series		A55.0204-02



**A13.0217-B Trinocular Metallurgical Microscope, DIC**

**A13.0217-B Monocular Metallurgical Microscope, DIC**



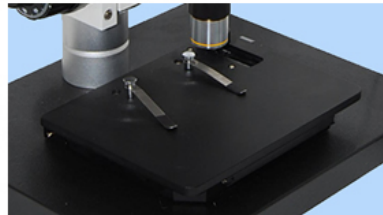
**A13.0217-A Use With Digital SLR Camera**



**High Quality DIC Objective, DIC Slide**



**Epi-Illumination System, Coaxial Illumination Using High Brightness White LED, Brightness Adjustable, Power Box 85~265V**



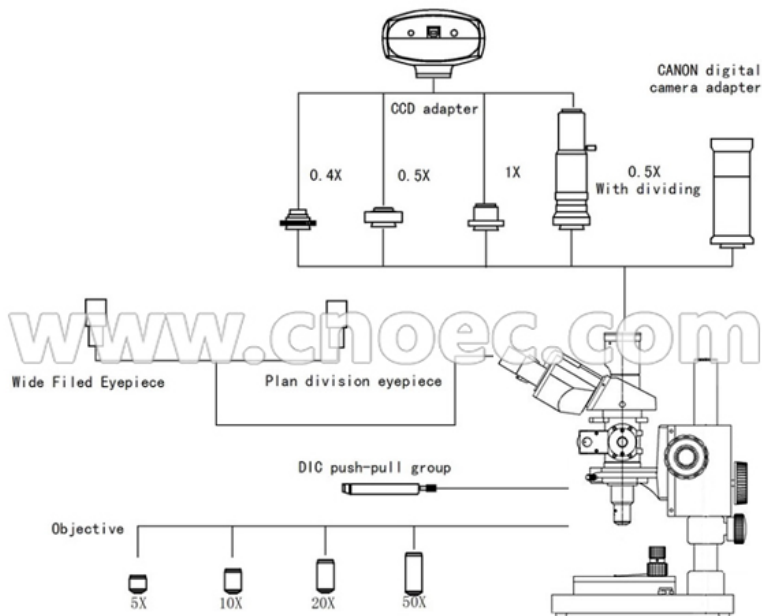
**Metal Base 300\*250mm, Mechanical Stage 160\*140mm, Moving Range 35\*30mm, X/Y Coaxial Moving Knob On Stage**



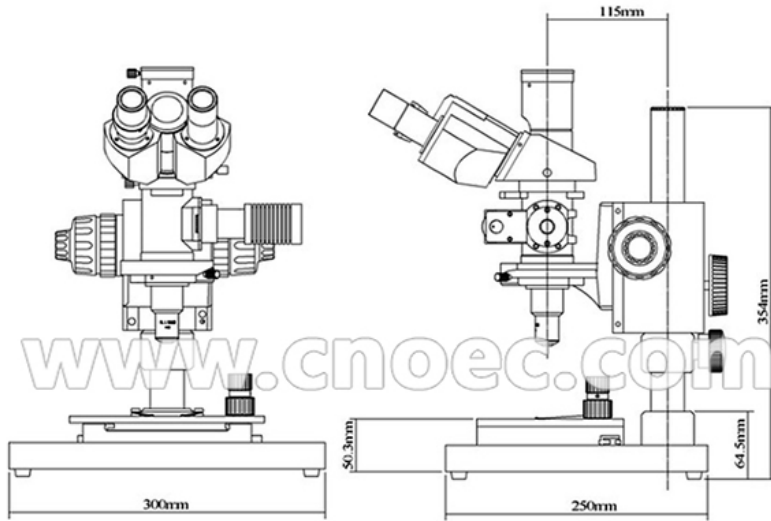
**A13.0217-A Use With A59.0204 Digital Camera**



**A13.0217-A Use With A59.2208 Digital Camera**



**A13.0217 Metallurgical Microscope System Diaphragm**



A13.0217 Metallurgical Microscope System Size



Opto-Edu (Beijing) Co., Ltd.

☎ 0086 13911110627    ✉ sale@optoedu.com    🌐 cnoec.com

F-1501 Wanda Plaza, No. 18 Shijingshan Road, Beijing 100043, China