



OPTO-EDU A16.2601-B2 Fluorescent Microscope, Binocular, B/G

Our Product Introduction

Basic Information

- Place of Origin: China
- Brand Name: CNOEC, OPTO-EDU
- Certification: CE, Rohs
- Model Number: A16.2601-B2
- Minimum Order Quantity: 1 pc
- Price: FOB \$1~1000, Depend on Order Quantity
- Packaging Details: Carton Packing, For Export Transportation
- Delivery Time: 5~20 Days
- Payment Terms: T/T, West Union, Paypal
- Supply Ability: 5000 pcs/ Month



Product Specification

- Highlight: digital trinocular microscope, usb digital microscope



More Images



for more products please visit us on cnoec.com

Product Description

Fluorescent Microscope, Binocular, B/G

Six Holes Fluorescent Unit Can Hold Up To 5 Fluorescent Filter + Bright Field View
 100W Mercury Fluorescent Light Source For Observe In Pathology, Clinical Lab Use
 Creative 100x Water Objective Instead Of 100x Oil Objective For Easy Use Without Oil
 High Rigidity Body Structure Design Supply High Steady And Easy Handle
 Different Color Available To Customize Your Model!

Our Product Introduction

for more products please visit us on cnoec.com

Items	A16.2601 Fluorescent Microscope Specification	B2	T2	B4	T4	Cata. No.
Head	Seidentopf Binocular Head Inclined 30°,Rotatable 360°, Interpupillary Distance 48-75mm	●		●		A53.2621-B
	Seidentopf Trinocular Head Inclined 30°,Rotatable 360°, Interpupillary Distance 48-75mm, , Light Split Fixed P20:E80		●		●	A53.2621-T
Eyepiece	WF10X/20mm (High Eyepoint)	●●	●●	●●	●●	A51.2602-1020
Nosepiece	Quadruple, Backward	●	●	●	●	A54.2610-N734
	Quintuple, Backward	○	○	○	○	A54.2610-N735
Infinity E-Plan Objective	EPLAN 4x/0.10,W.D.=12.1mm	●	●	●	●	A52.2605-4
	EPLAN 10x/0.25,W.D.=4.14mm	●	●	●	●	A52.2605-10
	EPLAN 40x/0.65(S),W.D.=0.58mm	●	●	●	●	A52.2605-40
	EPLAN 100x/1.25(S, Oil),W.D.=0.19mm	●	●	●	●	A52.2605-100
Infinity Plan Semi-APO Fluorescent Objective	UplanFLN 4x, N.A.0.16,W.D.=17.151mm	○	○	○	○	A5F.2611-4
	UplanFLN 10x, N.A.0.30,W.D.=7.68mm	○	○	○	○	A5F.2611-10
	UplanFLN 20x, N.A.0.50,W.D.=1.96mm	○	○	○	○	A5F.2611-20
	UplanFLN 40x, N.A.0.75,W.D.=0.78mm	○	○	○	○	A5F.2611-40
	UplanFLN 100x(Oil), N.A.1.30,W.D.=0.15mm	○	○	○	○	A5F.2611-100
Working Stage	Mechanical Stage Size: 145 mm×140mm, Travel: 76mm×52mm, Scale: 0.1mm, Double Slide Holder	●	●	●	●	A54.2601-S04
	Rackless (Integrated) Stage, Size 140×135mm, Travel Range 75×35mm, Double Slide Holder	○	○	○	○	A54.2601-S12
Focusing	Coaxial Coarse & Fine Focusing, Coarse Focusing Travel Range: 26mm, Fine Focusing Travel Range: 2μm/Division	●	●	●	●	
Condenser	Abbe Condenser N.A.1.25, Iris Diaphragm, Rack & Pinion Up/Down	●	●	●	●	A56.2614-C06b
Illumination	3W-LED Illumination Systems Powered By Safety Low Voltage Charger, Input Wide Voltage 100V-240V, Output 5V1A, Support Power Bank Supply For Outdoor Use	●	●	●	●	A56.2613-3W
	12V/20W Halogen Lamp	○	○	○	○	A56.2650-20W
	6V/30W Halogen Lamp	○	○	○	○	A56.2650-30W
Field Diaphragm	Upgrade To Kohler Illumnation	○	○	○	○	A56.2615-S
Filter	Dia.45mm, Blue	○	○	○	○	A56.2616-45B
	Dia.45mm, Green	○	○	○	○	A56.2616-45G
	Dia.45mm, Yellow	○	○	○	○	A56.2616-45A
Dark Field	Dark Field Condenser, Dry, N.A.0.83-0.91, For 4x10x40x Objective	○	○	○	○	A5D.2610-S
Polarizing	Analyzer + Polarizer Set	○	○	○	○	A5P.2601-S
Phase Contrast	Infinity Plan Phase Contrast Objective 10x + Phase Contrast Slide 10x + Phase Contrast Condenser + Telescope 11x + Green Filter	○	○	○	○	A5C.2601-10
	Infinity Plan Phase Contrast Objective 20x + Phase Contrast Slide 20x + Phase Contrast Condenser + Telescope 11x + Green Filter	○	○	○	○	A5C.2601-20
	Infinity Plan Phase Contrast Objective 40x + Phase Contrast Slide 40x + Phase Contrast Condenser + Telescope 11x + Green Filter	○	○	○	○	A5C.2601-40
	Infinity Plan Phase Contrast Objective 100x + Phase Contrast Slide 100x + Phase Contrast Condenser + Telescope 11x + Green Filter	○	○	○	○	A5C.2601-100
	Turret Phase Contrast Attachment Infinity Plan Phase Contrast Objective 10x20x40x100x, Turret Phase Contrast Condenser 5-Holes, Telescope 11x, Green Filter	○	○	○	○	A5C.2603-S

Fluorescence Unit	Upgrade From A12.2601-C/CT Biological Microscope With: B,G China Fluorescent Set 100W Mercury Lamp House 100W Mercury Power Box, Digital Disp. 6 Holes Disc Fluorescent Unit Ultraviolet Protection Barrier Centering Objective China 100W Mercury Lamp 2 pcs	•	•			A5F.2601-2
	Upgrade From A12.2601-C/CT Biological Microscope With: B,G,U,UV China Fluorescent Set 100W Mercury Lamp House 100W Mercury Power Box, Digital Disp. 6 Holes Disc Fluorescent Unit Ultraviolet Protection Barrier Centering Objective China 100W Mercury Lamp 2 pcs			•	•	A5F.2601-4
Adapter	C-Mount 0.5x, Focus Adjustable	○	○	○	○	A55.2601-05
	C-Mount 0.75x, Focus Adjustable	○	○	○	○	A55.2601-75
	C-Mount 1.0x, Focus Adjustable	○	○	○	○	A55.2601-10
	Digital Eyepiece Camera Adapter, Dia. 23.2mm/25mm	○	○	○	○	A55.2610
Mirror	Reflecting Mirror & Holder	○	○	○	○	A56.2601
Attachment	Wire Winding Device	○	○	○	○	A50.2602-S
Package	Carton Size 970×340×440mm, 1 pc / Ctn					
Weight	Gross Weight: 22 kgs, Net Weight: 18 kgs					
Note: "•" In Table Is Standard outfits, "○" Is Optional Accessories						



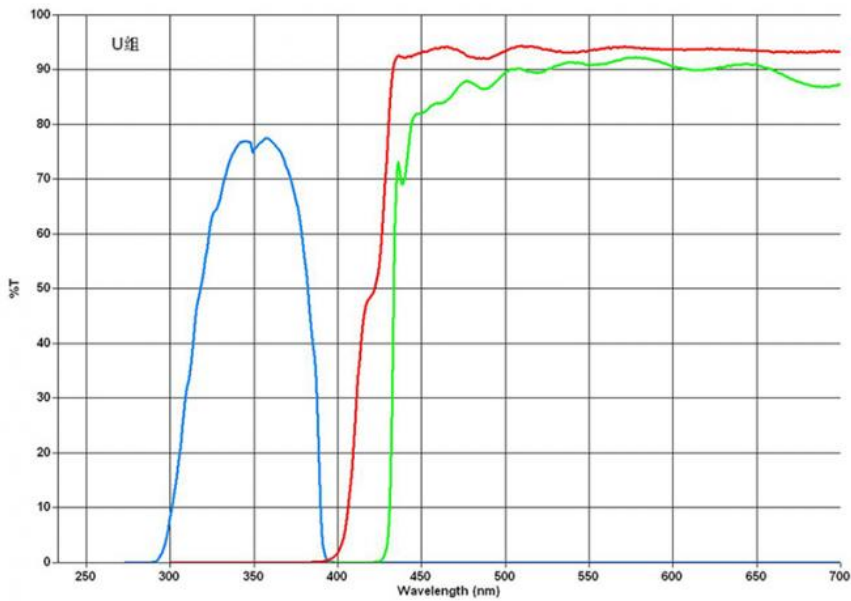
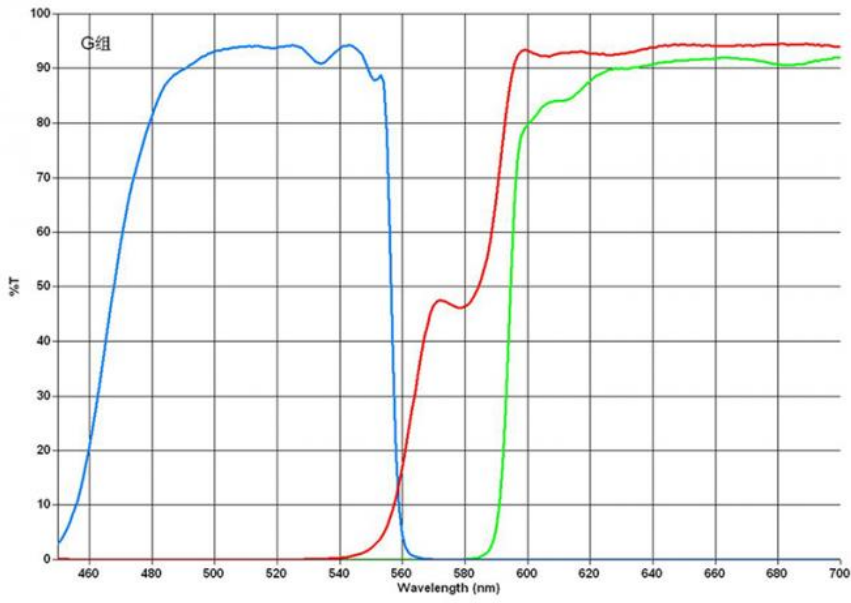
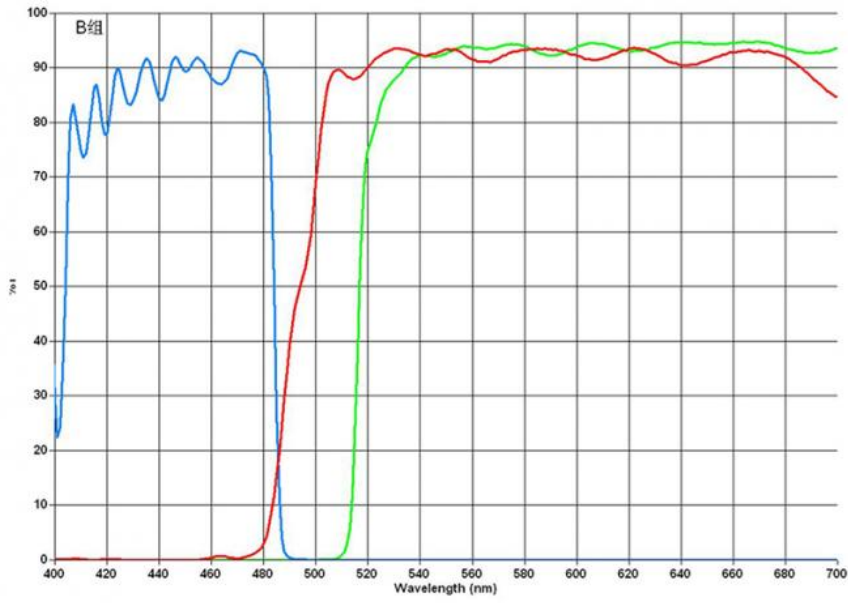
OPTO-EDU (BEIJING) CO., LTD.

F-1501 Wanda Plaza, No.18 Shijingshan Road, Beijing 100043, China
Tel:+8610 88696020 Fax:+8610 88696085

A16.2601 Fluorescent Microscope



Fluorescent Filters



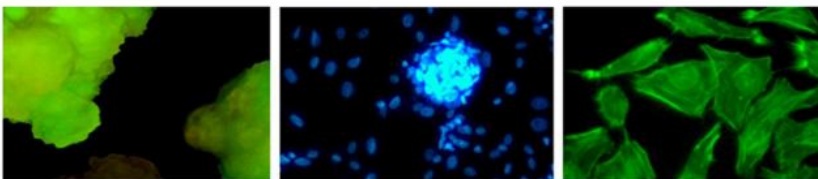
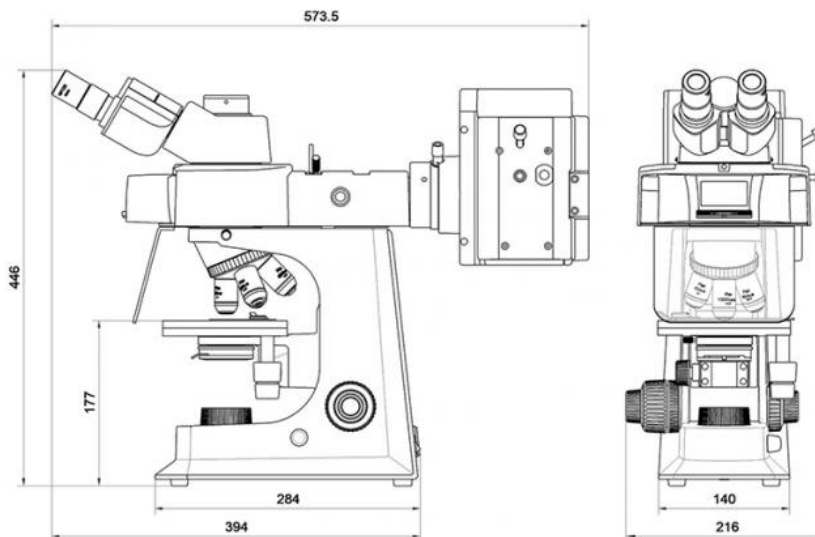
Fluorescent Filters	Exciter (nm)	Dichroic (nm)	Emitter (nm)
UV	330-380	400	435
V	380-420	430	460
B	420-490	505	520
G	500-550	575	590

Product Accessories



A5C.2601
Phase Contrast Objective + Side + Condenser + Telescope + Green Filter

Product Size(mm)



Opto-Edu (Beijing) Co., Ltd.

☎ 0086 13911110627

✉ sale@optoedu.com

🌐 cnoec.com

F-1501 Wanda Plaza, No. 18 Shijingshan Road, Beijing 100043, China