



OPTO-EDU A15.2603-A Polarizing Microscope, Transmit Light. Binocular

Basic Information

- Place of Origin: China
- Brand Name: CNOEC, OPTO-EDU
- Certification: CE, Rohs
- Model Number: A15.2603
- Minimum Order Quantity: 1 pc
- Price: FOB \$1~1000, Depend on Order Quantity
- Packaging Details: Carton Packing, For Export Transportation
- Delivery Time: 5~20 Days
- Payment Terms: T/T, West Union, Paypal
- Supply Ability: 5000 pcs/ Month

OPTO-EDU



Product Specification

- Highlight: digital trinocular microscope, usb digital microscope

OPTO-EDU



More Images

OPTO-EDU



OPTO-EDU



OPTO-EDU



Product Description

Polarizing Microscope, Transmit, Binocular

Transmit 5W LED Illumination + Center Adjustable Quadruple Nosepiece

Non-Stress Infinity Plan Objective 4x,10x,20x,40x,60x,100x Optional

Non-Stress Abbe N.A.1.25 Condenser, Center Adjustable With Polarizer Lens In Bottom

Round Stage Diameter Dia.142mm, Can Be Locked And Center Adjustable

Professional Analyzer Media Unit With Bertrand Lens, λ , $\lambda/4$ Slip, Quartz Wedge.

Items	A15.2603 Transmit Polarizing Microscope Specification	A	B	Cata. No.
Head	Seidentopf Binocular Head Inclined 30°, Eyetube Rotatable 360°, Interpupillary Distance 48-75mm	●	○	A53.2621-B
	Seidentopf Trinocular Head Inclined 30°, Eyetube Rotatable 360°, Interpupillary Distance 48-75mm, , Light Split Fixed P20:E80	○	●	A53.2621-T
Eyepiece	WF10x/20mm, High Eyepoint,	●	●	A51.2602-1018
	WF10x/20mm, With Micrometer X-0.1mm*180 Div / Y-Single Line, Diopter Adjustable	●	●	A51.2605-1018D
Nosepiece	Quadruple, Backward	●	●	A54.2610-N08
Non-Stress Infinity Plan Objective	PLAN 4x/0.10, W.D.=12.1mm	●	●	A5P.2630-4
	PLAN 10x/0.25,W.D.=4.64mm	●	●	A5P.2630-10
	PLAN 20x/0.40(S),W.D.=2.41mm	●	●	A5P.2630-20
	PLAN 40x/0.66(S),W.D.=0.65mm	●	●	A5P.2630-40
	PLAN 60x/0.80(S),W.D.=0.33mm	○	○	A5P.2630-60
	PLAN 100x/1.25(S,Oil),W.D.=0.12mm	○	○	A5P.2630-100
Working Stage	Round Stage Diameter Φ 142mm, Rotatable 360°, Division 1', Vernier Division 6', Can Be Locked, Center Adjustable	●	●	A54.2602-S03
	Attachable Mechanical Stage For Polaring Microscope, Moving Range 40x40mm	○	○	A5P.2616
	Attachable Mechanical Stage For Polaring Microscope, Moving Range 30x45mm, Lecia Type, Avoid Hitting Objective Lens	○	○	A5P.2616-LK
Condenser	Non-Stress Abbe N.A.1.25, Iris Diaphragm, Center Adjustable With Polarizer Lens In Bottom	●	●	A56.2614-P6
Polarizing Unit	Analyzer Media Unit 0~90° Adjustable, Between Head And Body, With Built-in Betrand Lens, Removeable Out of Optical Path For Single Polarizing Observe	●	●	A5P.2621-S
	Compensator Slide, 3 Holes, With λ Slip (First Class Red) + 1/4 λ Slip.	●	●	A5P.2613-22a
	Quartz Wedge Slide (I-IV Class)	●	●	A5P.2615-17
	Polarizer Lens, Bulit-in Bottom Part Of Condenser, Removeable Out of Optical Path	●	●	A5P.2610-S
Transmit Illumination	5W LED Lamp Powered By Safety Low Voltage Charger, Input Wide Voltage 100V-240V, Output 5V1A, Support Power Bank Supply For Outdoor Use	●	●	A56.2651-5W
	6V/30W Halogen Lamp	○	○	A56.2613-6V30W
Filter	Dia.45mm, Blue (Built in)	○	○	A56.2616-45B
	Dia.45mm, Green	○	○	A56.2616-45G
	Dia.45mm, Yellow	○	○	A56.2616-45A
	Dia.45mm, Neutral	○	○	A56.2616-45N
Adapter	C-Mount 0.5x, Focus Adjustable	○	○	A55.2601-05
	C-Mount 0.75x, Focus Adjustable	○	○	A55.2601-75
	C-Mount1.0x, Focus Adjustable	○	○	A55.2601-10
	Digital Eyepiece Camera Adapter, Dia. 23.2mm/25mm	○	○	A55.2610
Package	Carton Size 570×275×450mm, 1 Unit/Ctn			
Weight	Gross Weight: 8.6 kgs, Net Weight: 7.5 kgs			
Note: "●" In Table Is Standard outfits, "○" Is Optional Accessories.				



A15.2603

Polarizing Microscope, Transmit



Condenser & Light Source
Abbe Condenser N.A. 1.25, Iris Diaphragm, Rack & Pinion Up/Down, With Filter Holder

3W-LED Illumination Systems



Coaxial Coarse & Fine Focusing



Wire Winding Device



Holding Hole On Back

Powered By Safety Low Voltage
Charger
Input Wide Voltage 100V-240V, Output
5V1A, Support Power Bank Supply For
Outdoor Use

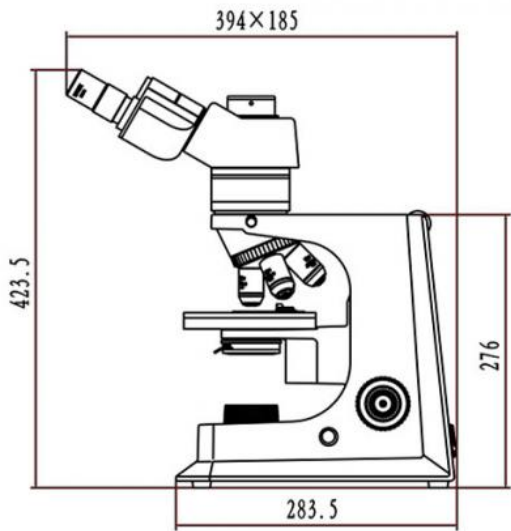


www.optoedu.com

3

sale@cnoec.com

Product Size(mm)



Product Multi-angle



Product Accessories



A55.2601-05
C-Mount 0.5x
Focus
Adjustable



A55.2601-75
C-Mount 0.75x
Focus
Adjustable



A55.2601-10
C-Mount 1.0x
Focus
Adjustable



A55.2610
Digital Eyepiece
Camera Adapter
Dia. 23.2mm/25mm



A5P.2616-LK Attachable Mechanical
Stage, Lecia Type



A5P.2616 Attachable Polarizing
Mechanical Stage, Moving Range 40x40mm



Opto-Edu (Beijing) Co., Ltd.

☎ 0086 13911110627

✉ sale@optoedu.com

🌐 cnoec.com

F-1501 Wanda Plaza, No. 18 Shijingshan Road, Beijing 100043, China