

## Binocular Zoom Polarizing Light Microscope High Definition For Laboratory

### Basic Information

- Place of Origin: China
- Brand Name: CNOEC, OPTO-EDU
- Certification: CE, Rohs
- Model Number: A15.0908
- Minimum Order Quantity: 1 pc
- Price: Negotiation
- Packaging Details: Carton Packing, For Export Transportation
- Delivery Time: 5~20 Days
- Payment Terms: T/T, West Union, Paypal
- Supply Ability: 5000 pcs/ Month

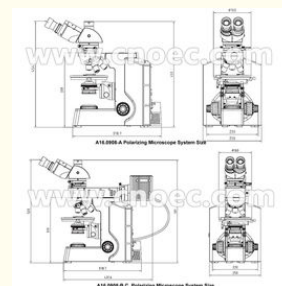
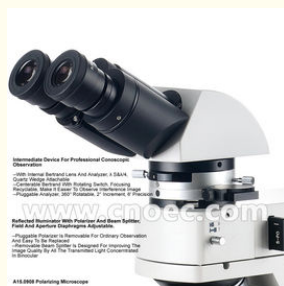


### Product Specification

- Highlight: highest magnification microscope, compound light microscope



### More Images



Our Product Introduction

for more products please visit us on cnoec.com

## Product Description

### Binocular Zoom Polarizing Light Microscope High Definition For Laboratory

#### A15.0908 Polarizing Microscope, newly developed in 2013.

- Infinity Color Corrected Optical System With Newly Upgraded Koehler Illumination System, Presents Clear & Bright Micro-image Under Each Magnification.
- Fire-new Ergonomic Design, Steady System Structure, Easy Operation, Suitable For Various Working Environments.
- Newly Designed Integrative **Y-Shape** Body, All Metal Diecasted Under High Pressure. High stability, No Image Dithering Under High Magnification Observation, Ensures The Test Precision Of Multi-channel Fluorescence Diagnosis.
- LWD Infinity Plan Achromatic Metallurgical Objectives 5x, 10x, 20x, 50x, 100x
- Reflect & Transmit Light Source 5W LED Warm Color With Full Range Filters
- Intermediate Tube With Removable Internal Bertrand Lens, Analyzer And Compensators.
- Circular Metal Stage Dia.160mm, Graphite Coating, Anti-corrosive And Anti-friction, 360° Rotatable, 1° Increment, Precision 6
- Transmitted & Reflected 12V/50W Halogen Lamp With Full Range Filters

A15.0908 Polarizing Microscope		T	R	RT
Optical System	Infinity Color Corrected Optical System			
Head	Compensation Binocular Head, 30° Inclined, 360° Rotatable, Interpupillary Distance 54-75mm, Diopter +/-5 Adjustable.			
Eyepiece	High Eye-point Wide Field Plan Eyepiece PL10x22mm			
Objective	Infinity Plan Destressing Objectives 4x, 10x, 20x, 40x, 60x	o		
	LWD Infinity Plan Destressing Objectives 5x, 10x, 20x, 50x		o	o
Nosepiece	5 Holes Revolving Nosepiece, Inward, Center Adjustable			
Analyzer	Intermediate Tube With Removable Internal Bertrand Lens, Analyzer And Compensators. Bertrand Lens With Rotating Switch, Focusing Recyclable, Center Adjustable			
	Pluggable Analyzer, 360° Rotatable, 2° Increments, Precision 6', With Locking Device Compensator Gyps 1λ (Φ18mm, Optical Path Difference 551nm); Mical 1/4λ (Φ18mm, Optical Path Difference 147.3nm); Quartz Wedge ( I-IV )			
Focusing	Coaxial Focus System With Upper Limited And Tension Adjustment; Coarse Range 25mm; Fine Precision 0.002mm			
Stage	Circular Metal Stage Dia.160mm, Graphite Coating, Anti-corrosive And Anti-friction, 360° Rotatable, 1° Increment, Precision 6'			
Condenser	Swing-out Achromatic Condenser N.A 1.2, With 360° Rotatable Polarizer, Four Adjustable Scale: 0/90/180/270			
Light Source	<b>Reflected Light,</b> 12V/50W Halogen Lamp House, Imported Bulb, Center presetting, Reflected Illuminator With LBD Filter And Pluggable Polarizer, Field Diaphragm And Aperture Diaphragm Adjustable	o		o
	<b>Transmitted Light,</b> 12V/50W Halogen Lamp House, Imported Bulb, Center Presetting, With Iris Diaphragm Filter For Transmitted Light Yellow, Neutral, IF550, LBD		o	o
Power	Wide Range Voltage 100~240V AC 50/60Hz			
<b>Optional Accessories</b>				
Eyepiece	High Eye-point PL10x/22mm with Micrometer, Diopter Adjustable	A51.0905-1022R		
	High Eye-point PL15x/16mm	A51.0903-1516		
Working Stage	Attachable Mechanical Moving Stage For Circular Stage, Moving Range: 30mm*40mm; High Precision Micrometer, 0.01mm Increment	A54.0946		
CCD Adapter	1x C-Mount, Focus Adjustable	A55.0926-10		
	0.50x, For 1/2" C-Mount, Focus Adjustable	A55.0926-50		
	0.67x, For 2/3" C-Mount, Focus Adjustable	A55.0926-67		



www.cnoec.com



**A15.0908 Polarizing Microscope**



**With Bayonet For Fixing Eyepiece**  
 For Polarizing Observation, The East-West Vibrating Axis And South-North Axis Should Be In Line With Vertical and Horizontal Scale Line Of Reticle In The Eyepiece



**Professional Measuring Stage** Is Optional

www.cnoec.com

**Big Circle Metal Working Stage** Dia. 160mm, 360° Rotatable, With Position Lock, With Anti-corrosive And Anti-friction Graphite Coating. The Scale Is Silk-printed By Special Material Which Won't Be Fade Or Wear-out After Long Time Operation



**N.A. 1.25 Swing-out Achromatic Condenser**  
 Center Adjustable, Horizontally Insert, Vertically Raise. Adjustable Aperture Diaphragm With Scale Remedies The Disadvantage Of Fixed Condenser, Provides Ample Uniform Light And Clear Image For Different Magnification Observation

**Low Position Focusing Knob** For Comfortable Operation, With Upper Limited And Tension Adjustable Function, Help To Protect Slides And Objective Lens



**Intermediate Device For Professional Conoscopic Observation**

- With Internal Bertrand Lens And Analyzer,  $\lambda$  S&A/4, Quartz Wedge Attachable
- Centerable Bertrand With Rotating Switch, Focusing Recyclable, Make It Easier To Observe Interference Image
- Pluggable Analyzer, 360° Rotatable, 2° Increment, 6' Precision

**Reflected Illuminator With Polarizer And Beam Splitter, Field And Aperture Diaphragms Adjustable.**

--Pluggable Polarizer Is Removable For

--Removable Beam Splitter Is Designed For Improving The Image Quality By All The Transmitted Light Concentrated In Binocular

**Big Circle Metal Working Stage**  
 Dia. 160mm, 360° Rotatable, With Position Lock, With Anti-corrosive And Anti-friction Graphite Coating. The Scale Is Silk-printed By Special Material Which Won't Be Fade Or Wear-out After Long Time Operation

**N.A.1.25 Swing-out Achromatic Condenser**  
 Center Adjustable, Horizontally Insert, Vertically Raise. Adjustable Aperture Diaphragm With Scale Remedies The Disadvantage Of Fixed Condenser, Provides Ample Uniform Light And Clear Image For Different Magnification Observation



www.cnoec.com

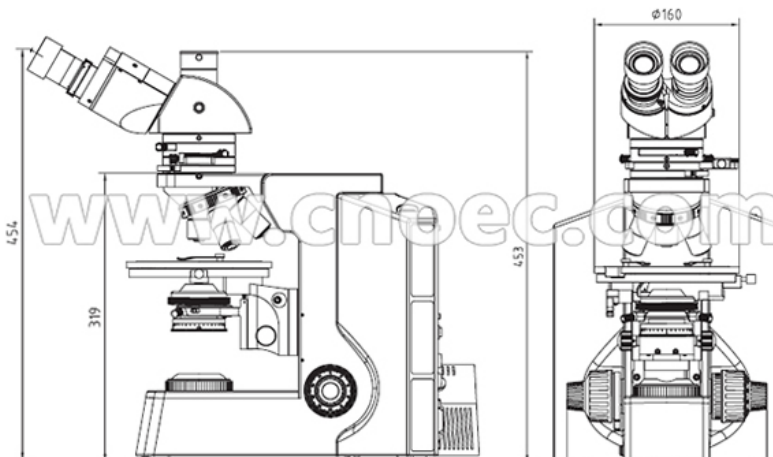
**A15.0908 Polarizing Microscope**

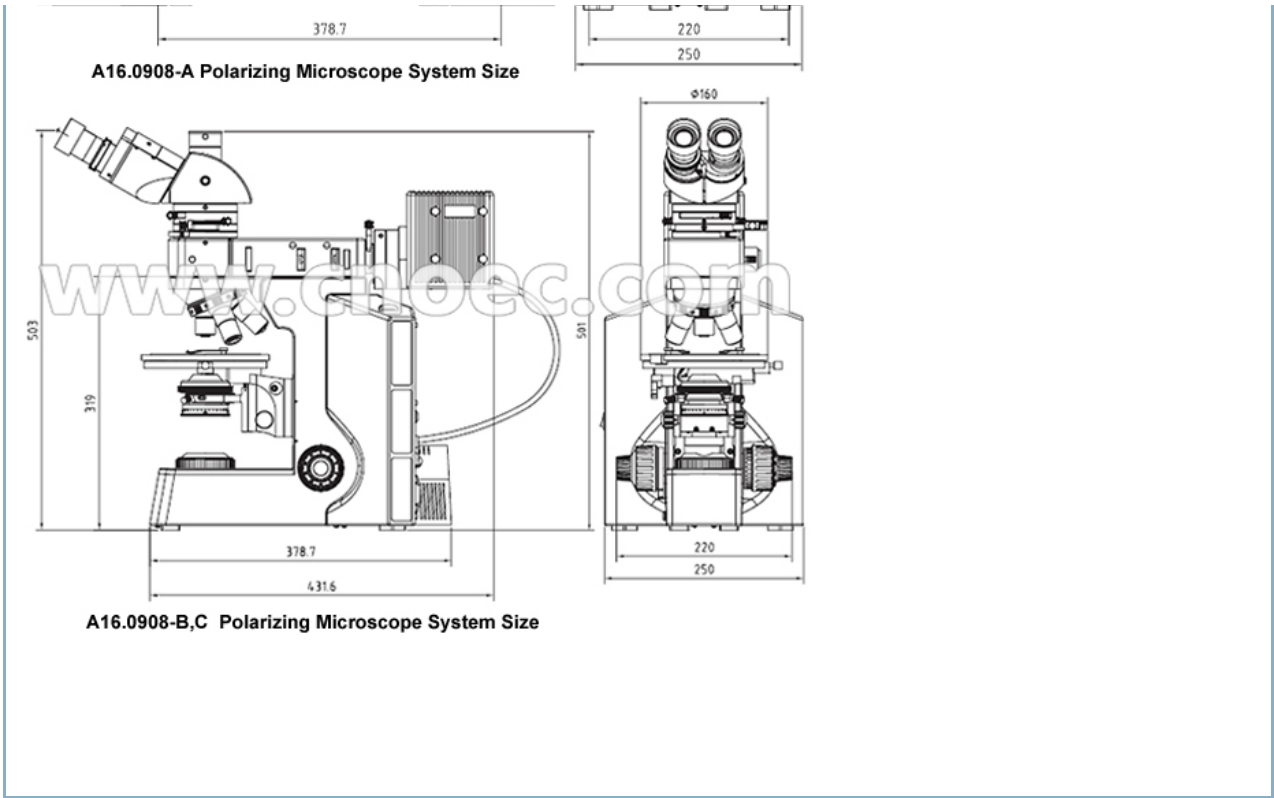
## A15.0908 Polarizing Microscope

# 2 Sets of Objectives



www.cnoec.com





**Opto-Edu (Beijing) Co., Ltd.**

☎ 0086 13911110627

✉ sale@optoedu.com

🌐 cnoec.com

F-1501 Wanda Plaza, No. 18 Shijingshan Road, Beijing 100043, China