



PL10x Opto-Edu A17.0950-10 Multi View Microscope CE

Our Product Introduction

for more products please visit us on cnoec.com

Basic Information

- Place of Origin: China
- Brand Name: CNOEC, OPTO-EDU
- Certification: CE, Rohs
- Model Number: A17.0950-10
- Minimum Order Quantity: 1 pc
- Price: FOB \$1~1000, Depend on Order Quantity
- Packaging Details: Carton Packing, For Export Transportation
- Delivery Time: 5~20 Days
- Payment Terms: T/T, West Union, Paypal
- Supply Ability: 5000 pcs/ Month

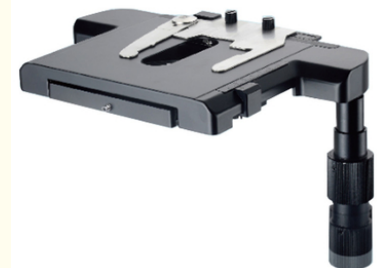
OPTO-EDU



Product Specification

- Head: 1pc Of 30° Inclined, Inverted Image, Infinity Gemel Trinocular Head With Interpupillary Distance 50~76mm, Three Split Ratio 0:100, 20:80, 100:0
- Certification: CE|Rohs
- Nosepiece: BF Sextuple Nosepiece(With Socket For DIC)
- Cursor Module: Middle Cursor Module , With LED Cursor, Red/Green/Blue Changeable, Light Intensity Of Cursor Adjustable
- Theory: Multi Viewing Microscope
- Stand: 5Sets Of Pole Stand
- Name: Opto-edu A17.0950-10 Multi View Microscope
- Condenser: Achromatic Abbe Condenser (NA 1.1), With Diopter Diaphragm
- Highlight: **opto edu multi view microscope, pl10x multi view microscope,**

OPTO-EDU



More Images

OPTO-EDU



OPTO-EDU



Product Description

Multi View Microscope, 10 People

3 People, 5 People, 10 People, Research Level Laboratory Microscope Upgrade BF+DF+PL+PH+FL+DIC, Metallurgical PL10x/22 Eyepiece, Infinity Plan Objective 4x10x20x40x100x
 BF Nosepiece Sextuple Nosepiece, With Socket For DIC
 Transmit Light 12V100W Halogen, Digital Dimming System With Light Indicator, Brightness Set & Reset Function
 LED Cursor Red/Green/Blue Changeable, Brightness Adjustable

A17.0950 Multi Viewing Research Laboratory Microscope	3	5	10
Optical System Infinity Color Corrected Optical System	•	•	•
Head 1pc of 30° Inclined, Inverted Image, Infinity Gemel Trinocular Head With Interpupillary Distance 50~76mm, Three Split Ratio 0:100, 20:80, 100:0	•	•	•
2pcs of Infinity Gemel Binocular Head, 30° Inclined	•		
4pcs of Infinity Gemel Binocular Head, 30° Inclined, Erect Image.		•	
5pcs of Infinity Gemel Binocular Head, 30° Inclined, Inverted Image.			•
Eyepiece 1Pair Of High-Eyepoint Plan Eyepiece PL10X/22mm, Diopter Adjustable, With Screw.	•	•	•
2Pairs Of High-Eyepoint Plan Eyepiece PL10X/22mm, Diopter Adjustable	•		
4Pairs Of High-Eyepoint Plan Eyepiece PL10X/22mm, Diopter Adjustable		•	
9Pairs Of High-Eyepoint Plan Eyepiece PL10X/22mm, Diopter Adjustable			•
Objective Plan Achromatic Objective, Each One Piece 4X/0.1 WD=15.00mm 10X/0.25 WD=10.8mm 20X/0.4 WD=1.50mm 40X/0.65 WD=0.80mm 100X/1.25 WD=0.21mm	•	•	•
Nosepiece BF Sextuple Nosepiece(With Socket For DIC)	•	•	•
Frame (For Transmission Biological Microscope) Coaxial Focus System With Upper Limited And Tension Adjustment, Coarse Adjustment Range: 25mm, Fine Adjustment Precision: 0.001mm. 100-240V Wideband Voltage Transformer, Adopt Digital Dimming, With the Function Of Light Set And Reset, Built-In Filter(LBD,ND6,ND25)	•	•	•
Illumination 12V100W Halogen Lamphouse (Centered), With 12V/100W Halogen Bulb(Philips 7724) Adaptor, 110-240V, Output 12V	•	•	•
Stage 187x166mm Double Layer Mechanical Stage, Moving Range 80x55mm,Precision 0.1mm,Bidirectional Transmission, Left and Right Position Handle For Option. Tension Of the Torque is Adjustable.	•	•	•
Condenser Swing-out Achromatic Condenser (NA 0.9)	•	•	

d e n s i t y	Achromatic Abbe Condenser (NA 1.1), With Diopter Diaphragm			•
C u r s o r	Middle Cursor Module , with LED Cursor, Red/Green/Blue Changeable, Light Intensity of Cursor Adjustable	•	•	•
S t a n d	1Sets of Pole Stand	•		
	2Sets of Pole Stand		•	
	5Sets of Pole Stand			•
P a c k a g e	Sponge + inner box + carton box(For single pack)	•	•	•



A17.0950-3



A17.0950-5

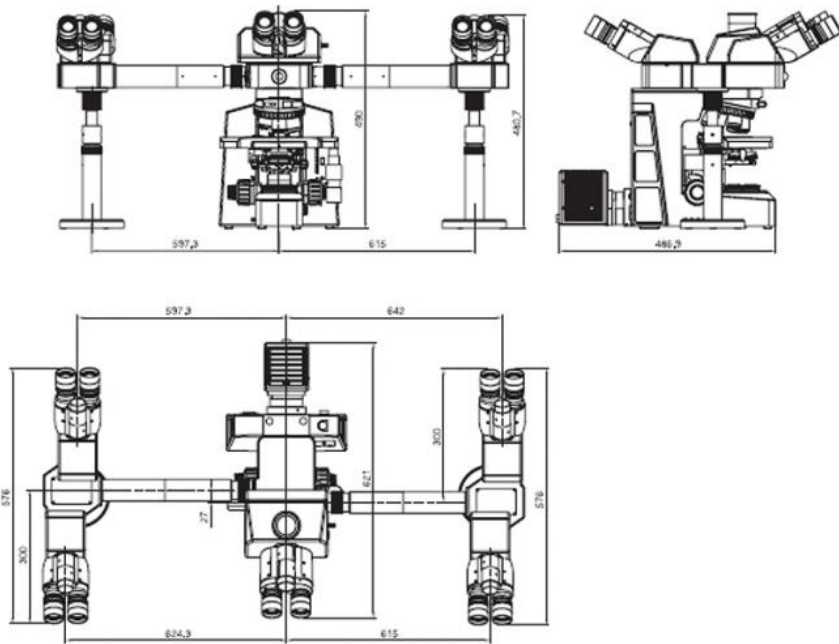


A17.0950 Series

A17.0950-10



Product Size

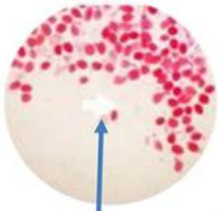


A17.0950

**Multi Viewing
Research Laboratory Microscope**



Product Details



LED Cursor

Middle cursor module , with LED cursor, Red/Green/Blue changeable, light intensity of cursor adjustable .



Working Stage

Double layer mechanical stage
187x166mm, moving range 80x55mm.
Precision 0.1mm. left and right position
handle for option. Tension of the torque
is adjustable.



Viewing Tube

360° rotatable viewing tube for different viewing
position, is more flexible and comfortable.



Opto-Edu (Beijing) Co., Ltd.

☎ 0086 13911110627

✉ sale@optoedu.com

🌐 cnoec.com

F-1501 Wanda Plaza, No. 18 Shijingshan Road, Beijing 100043, China