



## Biological Microscope Plan Objective 40X - 1000X With CE A12.0201

Our Product Introduction

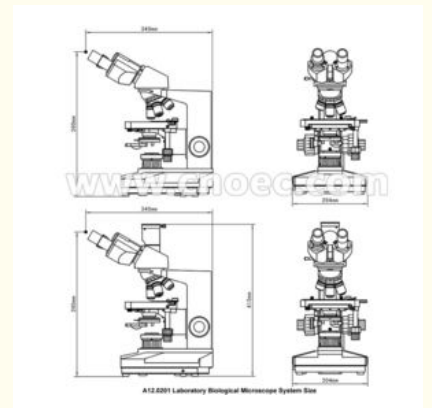
### Basic Information

- Place of Origin: China
- Brand Name: CNOEC
- Certification: CE
- Model Number: A12.0201
- Minimum Order Quantity: 1
- Price: Negotiation
- Packaging Details: Carton
- Delivery Time: 1 month
- Payment Terms: T/T, West Union and Paypal
- Supply Ability: 10000

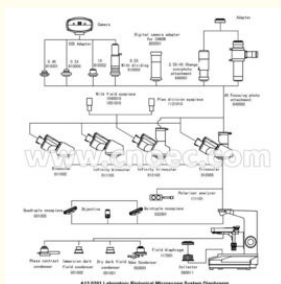


### Product Specification

- Highlight: **high powered microscope , binocular biological microscope**



### More Images



for more products please visit us on [cnoec.com](http://cnoec.com)

## Product Description

### Biological Microscope Plan Objective 40X - 1000X With CE A12.0201

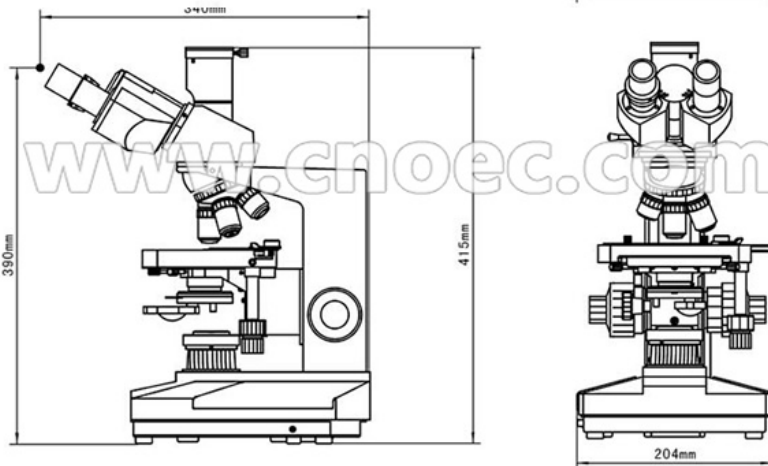
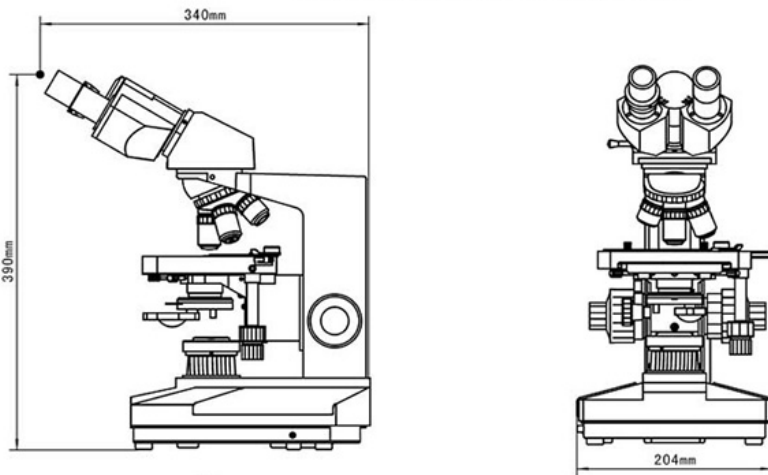
A12.0201 Laboratory Biological Microscope, equipped with plan achromatic objectives and wide field eyepieces. It has beautiful sculpt and provides clear image, wide field, convenient operation. It can be used for biology, medicine, agriculture and industry areas widely. It is the ideal instrument in medical treatment, teaching demonstration and scientific research.

- 360° Rotatable Head Adaptor For Easy Viewing Height Adjustable
- Backward Quadruple & Quintuple Nosepiece, Ball Bearing Inner Locating
- Plan Achromatic Objective 4x, 10x, 20x, 40x, 60x, 100x Available
- Dark Field, Polarizing, Phase Contrast Attachment Optional

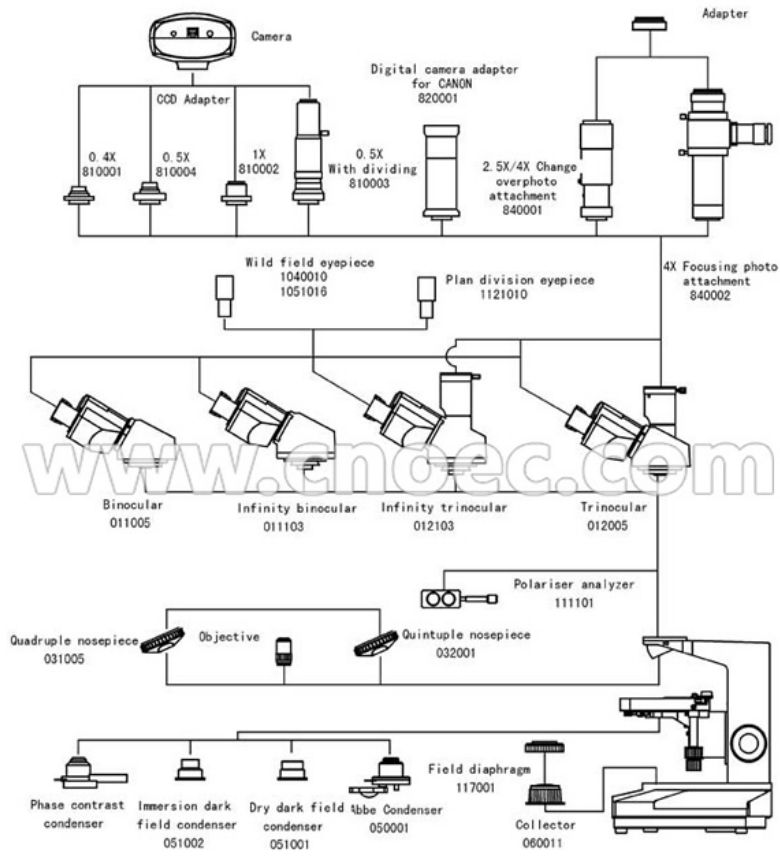
	A12.0201-A1	A12.0201-A2	A12.0201-B1	A12.0201-B2
Head	Binocular	Trinocular	Binocular	Trinocular
	30° Inclined, Interpupillary Distance 55~75mm, Left Eyepiece Tube Diopter Adjustable +/-5°, 100% Light Pass To Photo Tube			
Eyepiece	WF10x/20mm Wide Field Eyepiece			
Nosepiece	Backward Quadruple Nosepiece, Ball Bearing Inner Locating		Backward Quintuple Nosepiece, Ball Bearing Inner Locating	
Objective	Plan Achromatic Objective: PL4x/0.10, W.D.21mm PL10x/0.25, W.D. 5.0mm PL40x/0.65, W.D. 0.66mm (S) PL100x/1.25, W.D.0.36mm (S,O)		Plan Achromatic Objective: PL4x/0.10, W.D.21mm PL10x/0.25, W.D. 5.0mm PL20x/0.40, W.D.8.8mm PL40x/0.65, W.D. 0.66mm (S) PL100x/1.25, W.D.0.36mm (S,O)	
Working Stage	Double Layer Mechanical Stage 160*140mm, Moving Range 75*50mm			
Focusing	Coaxial Coarse & Fine Focus Knob, With Tension Adjustable And Limit Stopper, Minimum Division 0.002mm			
Condenser	Abbe Condenser N.A.1.25, Rack & Pinion Height Adjustable			
Filter	Blue Filter, Frosted Filter			
Light Source	Kohler Illumination, 6V20W Halogen Lamp, Brightness Adjustable, Light Collector With Iris Diaphragm			
<b>A12.0201 Laboratory Biological Microscope Optional Accessories</b>				
Eyepiece	WF16x/11mm Wide Field Eyepiece			A51.0203-1A
	Retical Eyepiece, WF10x/20mm, Micrometer Div 0.1mm			A51.0205-10
Objective	Infinity Plan Achromatic Objective PL60x/0.85, W.D.0.25mm			A52.0206-60
Filter	Green Filter			A56.0209-02
	Yellow Filter			A56.0209-03
Infinity Optical System	Binocular Head, 30° Inclined, For Infinity			A53.0207-3
	Trinocular Head, 30° Inclined, For Infinity			A53.0208-3
	Infinity Plan Achromatic 4x/0.10			A52.0206-4
	Infinity Plan Achromatic 10x/0.25			A52.0206-10
	Infinity Plan Achromatic 20x/0.40			A52.0206-20
	Infinity Plan Achromatic 40x/0.60			A52.0206-40
Phase Contrast	Infinity Plan Achromatic 100x/1.25			A52.0206-100
	Centering Telescope			A5C.0212-2
	Plan Phase Contrast Objective 10x/0.25 PHP			A5C.0231-P10
	Plan Phase Contrast Objective 20x/0.40 PHP, Spring			A5C.0231-P20
	Plan Phase Contrast Objective 40x/0.65 PHP, Spring			A5C.0231-P40
	Plan Phase Contrast Objective 100x/1.25 PHP, Spring, Oil			A5C.0231-P100
	Infinity Plan Phase Contrast Objective 10x/0.25 PHP			A5C.0234-P10
	Infinity Plan Phase Contrast Objective 20x/0.40 PHP, Spring			A5C.0234-P20
	Infinity Plan Phase Contrast Objective 40x/0.65 PHP, Spring			A5C.0234-P40
	Infinity Plan Phase Contrast Objective 100x/1.25 PHP, Spring, Oil			A5C.0234-P100
	<b>Small Turret</b> Phase Contrast Condenser			A5C.0210-1
<b>Big Turret</b> Phase Contrast Condenser			A5C.0210-4	
Flashboard Phase Contrast Condenser With Slides *4			A5C.0210-2	
Pullboard Phase Contrast Condenser With Sildes * 2			A5C.0210-3	
Polarizing	Simple Polarizing Set Polarizer, 360° Rotatable, Used On Base Light Collector Analyzer Glass, Put Between Head And Body			A5P.0201-1
Dark Field	Dark Field Condenser, Dry			A5D.0210-D
	Dark Field Condenser, Immersion			A5D.0210-I
Adapter	CCD Adapter 0.4x			A55.0202-01
	CCD Adapter 0.5x			A55.0202-04
	CCD Adapter 1.0x			A55.0202-02
	CCD Adapter 0.5x With Dividing 0.1mm/Divv			A55.0202-03
	Digital SLR Camera Adapter for Canon EF Series			A55.0204-02



A12.0201 Laboratory Biological Microscope



A12.0201 Laboratory Biological Microscope System Size



A12.0201 Laboratory Biological Microscope System Diaphragm



Opto-Edu (Beijing) Co., Ltd.

☎ 0086 13911110627

✉ sale@optoedu.com

🌐 cnoec.com

F-1501 Wanda Plaza, No. 18 Shijingshan Road, Beijing 100043, China