



40X - 1000X Biological Microscope 12V / 50W Halogen Lamp With CE A12.0202

Our Product Introduction

Basic Information

- Place of Origin: China
- Brand Name: CNOEC
- Certification: CE
- Model Number: A12.0202
- Minimum Order Quantity: 1
- Price: Negotiation
- Packaging Details: Carton
- Delivery Time: 1 month
- Payment Terms: T/T, West Union and Paypal
- Supply Ability: 10000

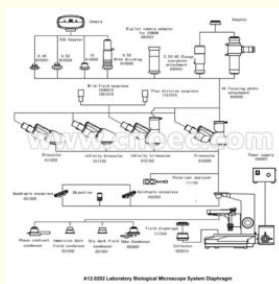
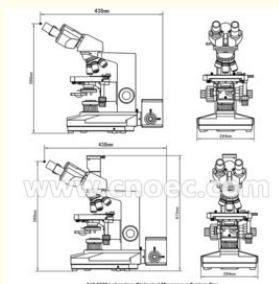


Product Specification

- Highlight: **high powered microscope , biological compound microscope**



More Images



for more products please visit us on cnoec.com

Product Description

40X - 1000X Biological Microscope 12V / 50W Halogen Lamp With CE A12.0202

A12.0202 Laboratory Biological Microscope, newly designed in 2008, equipped with 12V50W Halogen Lamp High Brightness Light Source. It have beautiful sculpt and provide clear image, wide field, convenience operation. It can be used for biology medicine agriculture and industry area widely. It is the ideal instrument in medical treatment, teaching demonstration and scientific research.

- 360° Rotatable Head Adaptor For Easy Viewing Height Adjustable
- Backward Quadruple & Quintuple Nosepiece, Ball Bearing Inner Locating
- Plan Achromatic Objective 4x,10x,20x,40x,60x,100x Available
- Dark Field, Polarizing, Phase Contrast Attachment Optional
- 12V50W Halogen Lamp, Brightness Adjustable, External Power Supplier Box

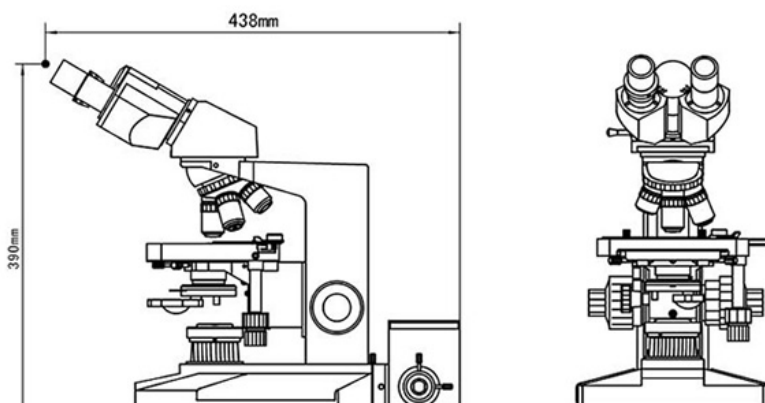
A12.0202 Laboratory Microscope, 12V50W Halogen Lamp		
Head	Binocular Head, 30° Inclined, Interpupillary Distance 55~75mm, Left Eyepiece Tube Diopter Adjustable +/-5°, 100% Light Pass To Photo Tube	
Eyepiece	WF10x/20mm Wide Field Eyepiece	
Nosepiece	Backward Quintuple Nosepiece, Ball Bearing Inner Locating	
Objective	Plan Achromatic Objective: PL4x/0.10, W.D.21mm PL10x/0.25, W.D. 5.0mm PL20x/0.40, W.D.8.8mm PL40x/0.65, W.D. 0.66mm (S) PL100x/1.25, W.D.0.36mm (S,O)	
Working Stage	Double Layer Mechanical Stage 160*140mm, Moving Range 75*50mm	
Focusing	Coaxial Coarse & Fine Focus Knob, With Tension Adjustable And Limit Stopper, Minimum Division 0.002mm	
Condenser	Abbe Condenser N.A.1.25, Rack & Pinion Height Adjustable	
Filter	Blue Filter, Frosted Filter	
Light Source	Kohler Illumination, 12V50W Halogen Lamp, Brightness Adjustable, External Power Supplier Box, Light Collector With Iris Diaphragm	
A12.0202 Laboratory Biological Microscope Optional Accessories		
Eyepiece	WF16x/11mm Wide Field Eyepiece	A51.0203-1A
	Retical Eyepiece, WF10x/20mm, Micrometer Div 0.1mm	A51.0205-10
Objective	Infinity Plan Achromatic Objective PL60x/0.85, W.D.0.25mm	A52.0206-60
Filter	Green Filter	A56.0209-02
	Yellow Filter	A56.0209-03
Infinity Optical System	Binocular Head, 30° Inclined, For Infinity	A53.0207-3
	Trinocular Head, 30° Inclined, For Infinity	A53.0208-3
	Infinity Plan Achromatic 4x/0.10	A52.0206-4
	Infinity Plan Achromatic 10x/0.25	A52.0206-10
	Infinity Plan Achromatic 20x/0.40	A52.0206-20
	Infinity Plan Achromatic 40x/0.60	A52.0206-40
	Infinity Plan Achromatic 100x/1.25	A52.0206-100
Phase Contrast	Centering Telescope	A5C.0212-2
	Plan Phase Contrast Objective 10x/0.25 PHP	A5C.0231-P10
	Plan Phase Contrast Objective 20x/0.40 PHP, Spring	A5C.0231-P20
	Plan Phase Contrast Objective 40x/0.65 PHP, Spring	A5C.0231-P40
	Plan Phase Contrast Objective 100x/1.25 PHP, Spring, Oil	A5C.0231-P100
	Infinity Plan Phase Contrast Objective 10x/0.25 PHP	A5C.0234-P10
	Infinity Plan Phase Contrast Objective 20x/0.40 PHP, Spring	A5C.0234-P20
	Infinity Plan Phase Contrast Objective 40x/0.65 PHP, Spring	A5C.0234-P40
	Infinity Plan Phase Contrast Objective 100x/1.25 PHP, Spring, Oil	A5C.0234-P100
		Small Turret Phase Contrast Condenser
	Big Turret Phase Contrast Condenser	A5C.0210-4
	Flashboard Phase Contrast Condenser With Slides *4	A5C.0210-2
	Pullboard Phase Contrast Condenser With Sildes * 2	A5C.0210-3
Polarizing	Simple Polarizing Set Polarizer, 360° Rotatable, Used On Base Light Collector Analyzer Glass, Put Between Head And Body	A5P.0201-1
Dark Field	Dark Field Condenser, Dry	A5D.0210-D
	Dark Field Condenser, Immersion	A5D.0210-I
Adapter	CCD Adapter 0.4x	A55.0202-01
	CCD Adapter 0.5x	A55.0202-04
	CCD Adapter 1.0x	A55.0202-02
	CCD Adapter 0.5x With Dividing 0.1mm/Divv	A55.0202-03
	Digital SLR Camera Adapter for Canon EF Series	A55.0204-02

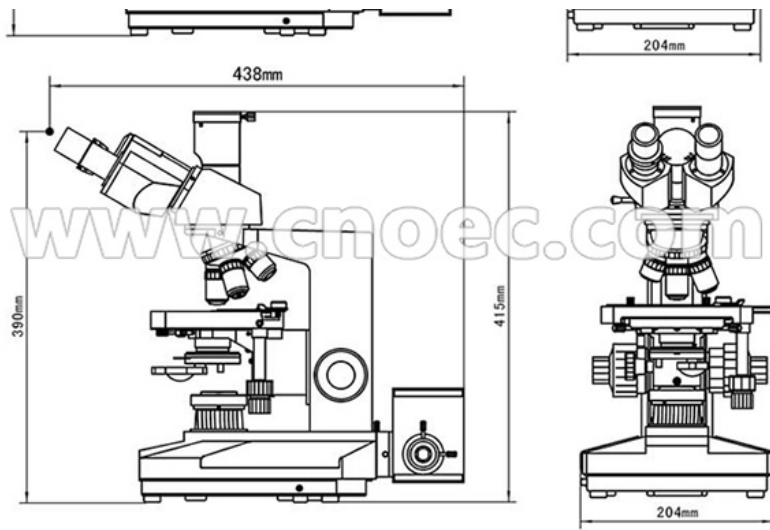


A12.0202 Laboratory Biological Microscope, 12V50W Halogen Lamp

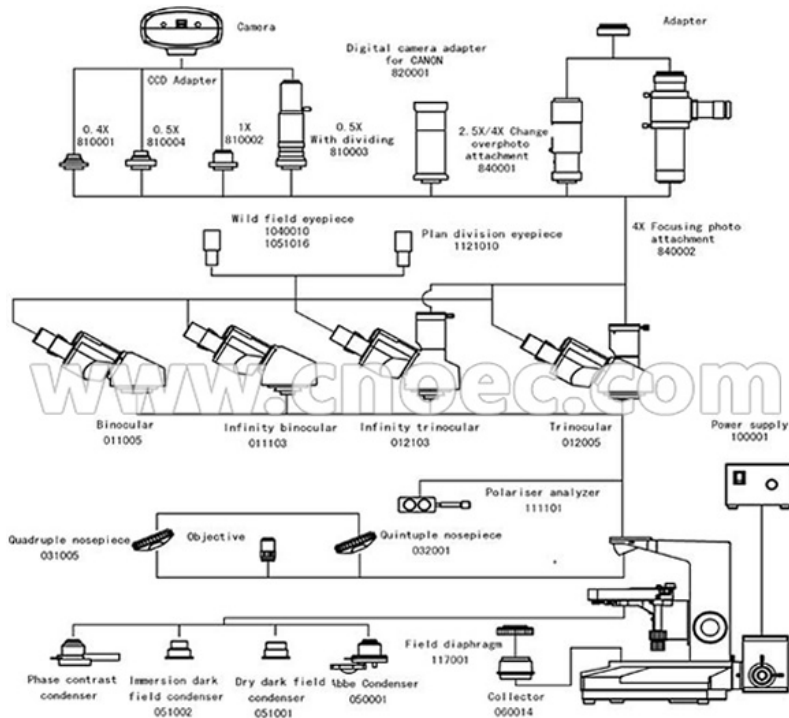


**A12.0202 Laboratory Biological Microscope,
12V50W Halogen Lamp, External Power Supply Box**





A12.0202 Laboratory Biological Microscope System Size



A12.0202 Laboratory Biological Microscope System Diaphragm



Opto-Edu (Beijing) Co., Ltd.

☎ 0086 13911110627

✉ sale@optoedu.com

🌐 cnoec.com

F-1501 Wanda Plaza, No. 18 Shijingshan Road, Beijing 100043, China