



## Laboratory Microscope 40X -1000X With CE Biological Microscope A12.0203

Our Product Introduction

for more products please visit us on cnoec.com

### Basic Information

- Place of Origin: China
- Brand Name: CNOEC
- Certification: CE
- Model Number: A12.0203
- Minimum Order Quantity: 1
- Price: Negotiation
- Packaging Details: Carton
- Delivery Time: 1month
- Payment Terms: T/T, West Union and Paypal
- Supply Ability: 10000

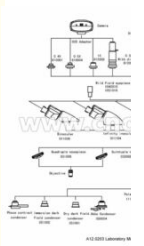
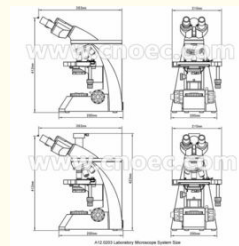


### Product Specification

- Highlight: binocular biological microscope, biological compound microscope



### More Images



### Product Description

#### Laboratory Microscope 40X - 1000X With CE Biological Microscope A12.0203

A12.0203 Laboratory Biological Microscope, equipped with plan achromatic objectives and wide field eyepieces. It has beautiful sculpt and provide clear image, wide field, convenience operation. It can be used for biology medicine agriculture and industry area widely. It is the ideal instrument in medical treatment, teaching demonstration and scientific research.

- 360° Rotatable Head Adaptor For Easy Viewing Height Adjustable
- Backward Quadruple & Quintuple Nosepiece, Ball Bearing Inner Locating

Our Product

--Plan Achromatic Objective 4x,10x,20x,40x,60x,100x Available  
 --Dark Field, Polarizing, Phase Contrast Attachment Optional

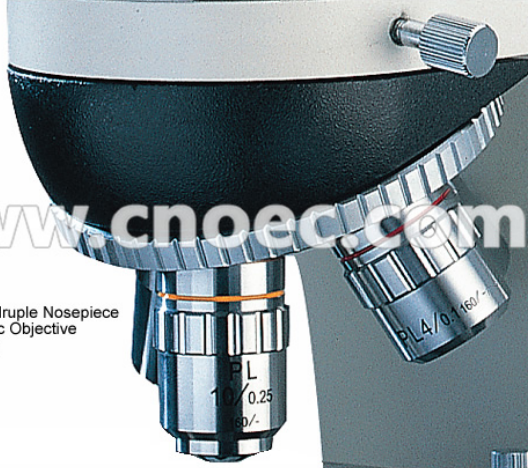
	A12.0203-A1	A12.0203-A2	A12.0203-B1	A12.0203-B2
	Binocular	Trinocular	Binocular	Trinocular
Head	Head, 30° Inclined, Interpupillary Distance 55~75mm, Both Eyepiece Tube Diopter Adjustable +/-5°, 100% Light Pass To Photo Tube			
Eyepiece	WF10x/20mm Wide Field Eyepiece			
Nosepiece	Backward Quadruple Nosepiece, Ball Bearing Inner Locating		Backward Quintuple Nosepiece, Ball Bearing Inner Locating	
Objective	Plan Achromatic Objective: PL4x/0.10, W.D.21mm PL10x/0.25, W.D. 5.0mm PL40x/0.65, W.D. 0.66mm (S) PL100x/1.25, W.D.0.36mm (S,O)		Plan Achromatic Objective: PL4x/0.10, W.D.21mm PL10x/0.25, W.D. 5.0mm PL20x/0.40, W.D.8.8mm PL40x/0.65, W.D. 0.66mm (S) PL100x/1.25, W.D.0.36mm (S,O)	
Working Stage	Double Layer Mechanical Stage 210*140mm, Moving Range 75*50mm			
Focusing	Coaxial Coarse & Fine Focus Knob, With Tension Adjustable And Limit Stopper, Minimum Division 0.002mm			
Condenser	Abbe Condenser N.A.1.25, Rack & Pinion Height Adjustable			
Filter	Blue Filter, Frosted Filter			
Light Source	Kohler Illumination, 6V30W Halogen Lamp, Brightness Adjustable, Light Collector With Iris Diaphragm			

A12.0203 Laboratory Biological Microscope Optional Accessories		
Eyepiece	WF16x/11mm Wide Field Eyepiece	A51.0203-1A
	Retical Eyepiece, WF10x/20mm, Micrometer Div 0.1mm	A51.0205-10
Objective	Plan Achromatic Objective PL60x/0.85, W.D.0.25mm	A52.0203-60
Filter	Green Filter	A56.0209-02
	Yellow Filter	A56.0209-03
Infinity Optical System	Binocular Head, 30° Inclined, For Infinity	A53.0207-4
	Trinocular Head, 30° Inclined, For Infinity	A53.0208-4
	Infinity Plan Achromatic 4x/0.10	A52.0206-4
	Infinity Plan Achromatic 10x/0.25	A52.0206-10
	Infinity Plan Achromatic 20x/0.40	A52.0206-20
	Infinity Plan Achromatic 40x/0.60	A52.0206-40
Phase Contrast	Infinity Plan Achromatic 100x/1.25	A52.0206-100
	Centering Telescope	A5C.0212-2
	Plan Phase Contrast Objective 10x/0.25 PHP	A5C.0231-P10
	Plan Phase Contrast Objective 20x/0.40 PHP, Spring	A5C.0231-P20
	Plan Phase Contrast Objective 40x/0.65 PHP, Spring	A5C.0231-P40
	Plan Phase Contrast Objective 100x/1.25 PHP, Spring, Oil	A5C.0231-P100
	Infinity Plan Phase Contrast Objective 10x/0.25 PHP	A5C.0234-P10
	Infinity Plan Phase Contrast Objective 20x/0.40 PHP, Spring	A5C.0234-P20
	Infinity Plan Phase Contrast Objective 40x/0.65 PHP, Spring	A5C.0234-P40
	Infinity Plan Phase Contrast Objective 100x/1.25 PHP, Spring, Oil	A5C.0234-P100
Polarizing	Small Turret Phase Contrast Condenser	A5C.0210-1
	Big Turret Phase Contrast Condenser	A5C.0210-4
	Flashboard Phase Contrast Condenser With Slides *4	A5C.0210-2
	Pullboard Phase Contrast Condenser With Slides * 2	A5C.0210-3
Dark Field	Simple Polarizing Set	A5P.0201-1
	Polarizer, 360° Rotatable, Used On Base Light Collector Analyzer Glass, Put Between Head And Body	
Adapter	Dark Field Condenser, Dry	A5D.0210-D
	Dark Field Condenser, Immersion	A5D.0210-I
	CCD Adapter 0.4x	A55.0202-01
	CCD Adapter 0.5x	A55.0202-04
	CCD Adapter 1.0x	A55.0202-02
	CCD Adapter 0.5x With Dividing 0.1mm/Divv	A55.0202-03
	Digital SLR Camera Adapter for Canon EF Series	A55.0204-02





A12.0203 Laboratory Biological Microscope



WWW.CNOEC.COM

--Backward Quadruple Nosepiece  
--Plan Achromatic Objective  
4x, 10x, 40x, 100x



Abbe Condenser N.A.1.25, Rack & Pinion Height Adjustable, Center Adjustable

Kohler Illumination, 6V30W Halogen Lamp, Brightness Adjustable, Light Collector With Iris Diaphragm



WWW.CNOEC.COM

Low Position Coaxial Coarse & Fine Focus Knob, With Tension Adjustable And Limit Stopper, Minimum Division 0.002mm



A5C.0210-1 Small Turret Phase Contrast Condenser





**A5C.0210-4** Big Turret Phase Contrast Condenser



**A5C.0210-2** Flash Board Phase Condenser Set



**A5C.0210-3** Pull Board Phase Condenser Set

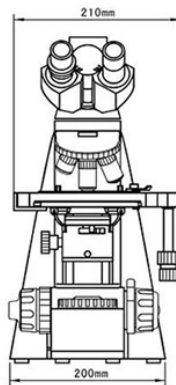
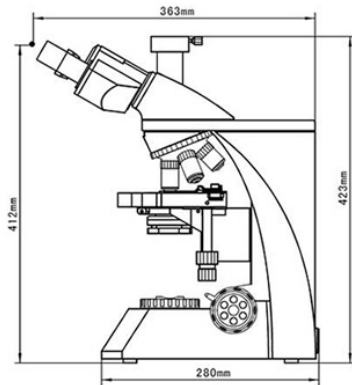
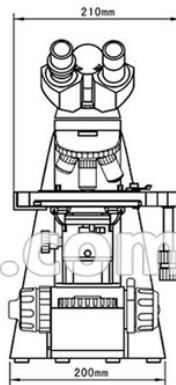
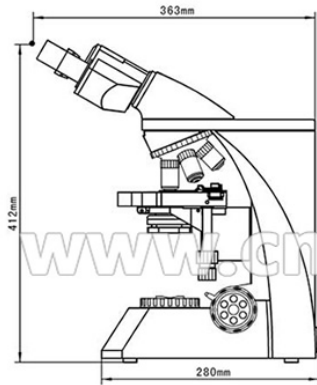
**A12.0203-A2** Trinocular Laboratory Microscope



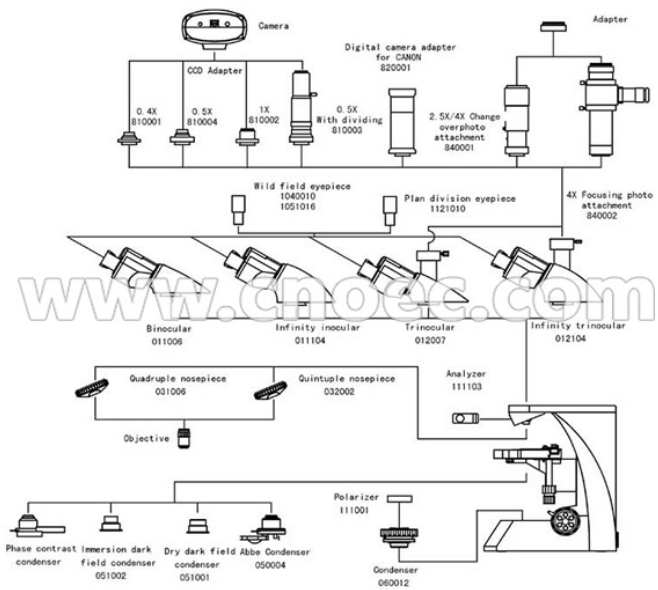
**A5C.0231** Plan Phase Contrast Objective  
**A5C.0212-1** Centering Telescope 10x



**A5D.0210-D** Dry Dark Field Condenser  
**A5D.0210-I** Immersion Dark Field Condenser




**A12.0203** Laboratory Microscope System Size



**A12.0203** Laboratory Microscope System Diagram



 0086 13911110627  [sale@optoedu.com](mailto:sale@optoedu.com)  [cnoec.com](http://cnoec.com)

F-1501 Wanda Plaza, No. 18 Shijingshan Road, Beijing 100043, China