



Infinity Trinocular BF / DF DIC Metallurgical Optical Microscope Halogen Light A13.1013

Our Product Introduction

for more products please visit us on cnoec.com

Basic Information

- Place of Origin: China
- Brand Name: CNOEC
- Certification: CE, Rohs.
- Model Number: A13.1013
- Minimum Order Quantity: 1
- Price: \$200-\$5000
- Packaging Details: Carton Packing
- Payment Terms: L/C, T/T, Western Union,



Product Specification

- Highlight: **reflected light microscope, halogen lamp microscope**



More Images



Product Description

Infinity Trinocular BF/DF DIC Metallurgical Microscope Halogen Light A13.1013

A13.1013 Laboratory DIC BF/DF Metallurgical Microscope, is an ideal instrument for industry inspection and science research laboratory.

--Infinity Optical System, BF/DF, Transmit & Reflect Illumination, **DIC**, Polarizing System

--Full Range BF/DF Objectives Included

--Polarization System Optional

--**DIC** System Optional

--Powerful Transmitted And Reflected Illumination System with Kohler Illumination.

A13.1013 BF/DF DIC Metallurgical Microscope		A	B	
Optical System	Infinity Optical System, Bright Field/Dark Field, DIC, Polarizing			
Head	Seidentopf Trinocular Head Inclined at 30°, Interpupillary 48-75mm			
Eyepiece	Extra Wide Field Eyepiece EW10x/22mm, Eyepiece Tube Dia.30mm			
Nosepiece	Backward Quintuple Nosepiece			
Objective	Infinity Plan Achromatic Objectives 5x/ 0.12/ ∞/ - (BF/DF),W.D.12mm			
	Infinity Plan Achromatic Objectives 10x/ 0.25/ ∞/ - (BF/DF),W.D.10mm			
	Infinity Plan Achromatic Objectives 20x/ 0.4/ ∞/0 (BF/DF),W.D.4.3mm			
	Infinity Plan Achromatic Objectives 50x/ 0.75/ ∞/0 (BF/DF),W.D.0.32mm			
	Infinity Plan Achromatic Objectives 100x/0.80/∞/0 (BF/DF),W.D.2mm			
	Infinity Plan Achromatic Objectives 40x/0.65/∞/0.17,W.D.0.54mm			o
	Infinity Plan Achromatic Objectives 100x/1.25/∞/0.17,W.D.0.13mm			o
Focusing	Coaxial Coarse & Fine Adjustment, Fine Focusing Precision <1um, With Safty Stop, With Tension Adjustment			
Working Stage	Maximum Sample Height 30mm Double Layer Mechanical Stage 186*138mm, Moving Range 74*50mm, Including: --Specimen Preparation Plate --Slide Glass		o	
	Maximum Sample Height 50mm Non-Porous Double Layer Mechanical Stage 186*138mm, Moving Range 74*50mm, Including:		o	
Reflect Illumination	24V 100W Halogen Light, Brightness Adjustable Kohler Illumination With Aspherical Condenser Polarizer & Analyzer, Intergrate Board For Polarizer & Analyzer Blue, Green, Yellow Filter, Gound Glass			
Transmit Illumination	Swing-Out Condenser N.A.0.9/0.25 24V 100W Halogen Light With Aspherical Condenser Blue Filter		o	
A13.1013 BF/DF DIC Metallurgical Microscope		A	B	
Objective	Infinity Plan Achromatic Objectives 40x/0.6/∞/0 (BF/DF),W.D.2.9mm		A5M.1036-40	
DIC	20x, 100x DIC Slide		A5M.1040	
Polarizing	Polarizer & Analyzer, Intergrate Board For Polarizer & Analyzer For Reflect Illumination		A5P.1002	
Filter	Netural Filter ND25		A5F.1011-25	
	Netural Filter ND6		A5F.1011-6	
Adaptor	Photo Adapter, For Nikon or Canon SLR Camera		A55.1001	
	C-Mount 1.0x		A55.1002-10	
	C-Mount 0.5x		A55.1002-05	
Other	Specimen Presser		A5M.1010	





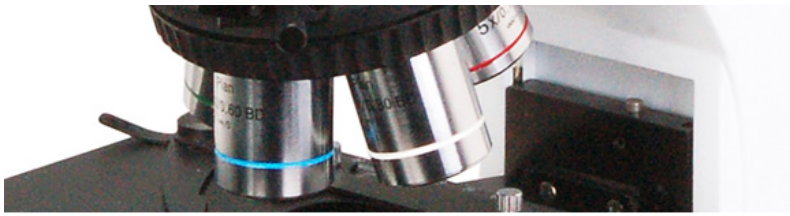
A13.1013 DIC BF/DF Metallurgical Microscope



Scidentopf Trinocular Head, 30° Inclined, Interpupillary 48-75mm
Extra Wide Field Eyepiece EW10x/22mm, Eyepiece Tube Dia.30mm



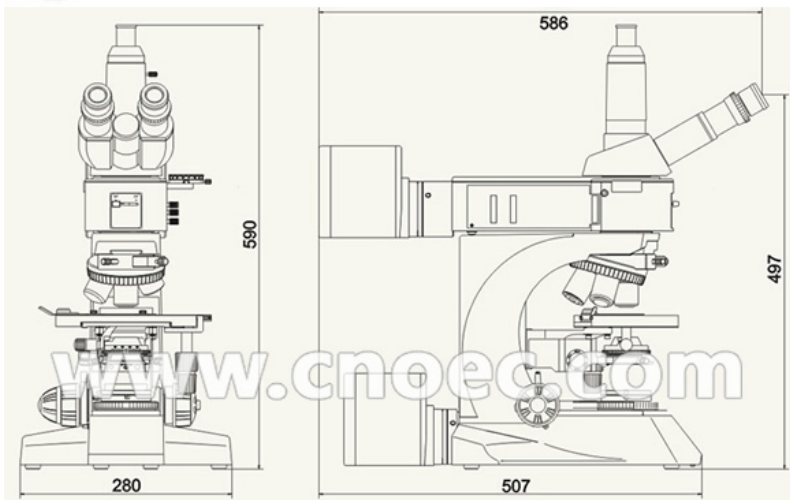
Bright Field / Dark Field Switch Knob



www.cnoec.com



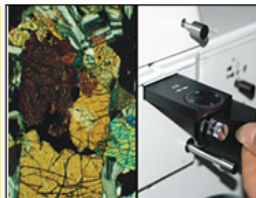
Swing Condenser N.A.0.95/0.25
 Coaxial Coarse & Fine Adjustment Knob
 External Illumination, Aspherical Collector, Halogen Lamp 6V30W
 Brightness Adjust Knob & Switch



A13.1013 BF/DF DIC Metallurgical Microscope System Size



A5M.1010 Specimen Presser



A5P.1002 Polarizing View



A5M.1040 20x, 100x DIC Slide



Infinity Plan Achromatic BF/DF Objectives 5x,10x, 20x, 50x, 100x



www.cnoec.com



A5M.1040 20x,100x DIC Slide



Opto-Edu (Beijing) Co., Ltd.

☎ 0086 13911110627

✉ sale@optoedu.com

🌐 cnoec.com

F-1501 Wanda Plaza, No. 18 Shijingshan Road, Beijing 100043, China