



Infinity Trinocular Inverted Phase Contrast Microscope DIC Bright Field A19.0204

Our Product Introduction

for more products please visit us on cnoec.com

Basic Information

- Place of Origin: China
- Brand Name: CNOEC, OPTO-EDU
- Certification: CE,
- Model Number: A19.0204
- Minimum Order Quantity: 1 pc
- Price: FOB \$1~1000, Depend on Order Quantity
- Packaging Details: Carton Packing, For Export Transportation
- Delivery Time: 5~20 Days
- Payment Terms: T/T, West Union, Paypal
- Supply Ability: 5000 pcs/ Month



Product Specification

- Certification: CE
- Drawtube: Trinocular
- Illumination: LED
- Theory: Phase Contrast Microscope
- Systems: Infinity
- Objective: DIC Contrast Objective
- Highlight: **phase contrast light microscope, phase contrast microscopes**



More Images



Product Description

Infinity Trinocular DIC Bright Field Inverted Phase Contrast Microscope A19.0204

A19.0204 Inverted DIC Contrast Microscope, Newly Designed in 2014.

It is new type of multi-functional optical instrument. It is designed with fasion outlook and convenience operation. The phase contrast device can be attached to the light path to perform transmitted phase contrast microscopic observation, such as phase contrast, modulation contrast, and bright field view. This unit is suitable for the microscopic observation of cells, tissues and clear liquid tissues, and the dynamic microscopic observation for tissues cultured in a culture dish. It is applicable to scientific research institutions, colleges, and universities, medical and health, inspection and quarantine agencies, agricultural, animal husbandry and dairy industries.

Our Product

DIC Contrast, equipped with high quality DIC objectives, and split DIC slide to divid polarizing light into O/E lights, after transmit the object, combine the O/E light with small optical path difference to create interfered image, make high contrast, 3-D images under microscope.

- DIC Contrast, With DIC objective, DIC Split Slide, DIC Combine Slide
- Long Working Distance Condenser For DIC Observation
- Three Culture Dish Holder For Different Size Culture Dish
- Photo Adapter On Left Side Of Main Body, 100% Light Pass For Low Light Photography Condition

A19.0204 Inverted Modulation Contrast Microscope, DIC	
Magnification	Total 100~400x
System	Infinity Optical System
	Mechanical Tube Length : ∞
	Conjugate Distance: ∞
Head	Trinocular Head, 45° Inclined, Interpupillary Distance 53~75mm
Eyeiece	WF10x/22mm Wide Field, Eyepiece Tube Dia. 30mm, Parfocal Distance 10mm
	Centering Telescope Eyepiece 10x
Nosepiece	Quintuple
Objective	LWD Infinity Plan Bright Field Objective 10x/0.25, W.D. 4.3mm, Cover Glass Thickness 1.2mm
	DIC Contrast Objective 10x/0.25, W.D.20.2, No Cover Glass
	20x/0.35, W.D.6.0, Cover Glass Thickness 1.2mm
	40x/0.60, W.D.3.5 , Cover Glass Thickness 1.2mm
	For DIC Contrast View, To Check No Cover Glass or Thin Cover Glass Slide, Culture Dish Object Transmit Observation
Working Stage	Mechanical Stage 227*208mm, Glass Round Stage Dia. 118mm, Moving Range 77*134.5mm, Moving Stage Detachable
	Culture Dish Holder 1, 86mm (W)*129.5 (L), For Circular Culture Dish Dia.87.5mm
	Culture Dish Holder 2, 34mm (W)*77.5 (L), For Circular Culture Dish Dia.68.5mm
	Culture Dish Holder 3, 57mm (W)*82mm (L)
Focusing	Coaxial Coarse & Fine Focus Knob, With Tension Adjustable And Limit Stopper, Minimum Division 0.002mm
Condenser	Long Working Distance 55mm, N.A. 0.3.For DIC Contrast View
Light Source	High Light 5W LED White, Input 3.9~3.0V , Brightness Adjustable
Optional Accessories	
Adapter	CCD Adapter 0.5x A55.0202-04
	Digital SLR Camera Adapter for Canon EF Series A55.0204-02



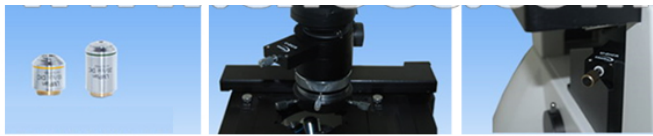
A19.0204 Inverted Phase Contrast Microscope, DIC

Mechanical Stage, Without Rock & Gear
The mechanical stage driver is adapted coaxial high strength steel wire. It is an ideal design for stable mobile. The automatic protection in the limited position is effective on the accuracy of stage.



Three Culture Dish Holder Optional

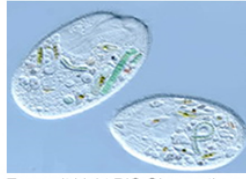




DIC Objective 10x/20x

Transmitt Light DIC Split Slide

Transmitt Light DIC Combine Slide



Transmitt Light DIC Observation



Transmitt Light DIC Observation



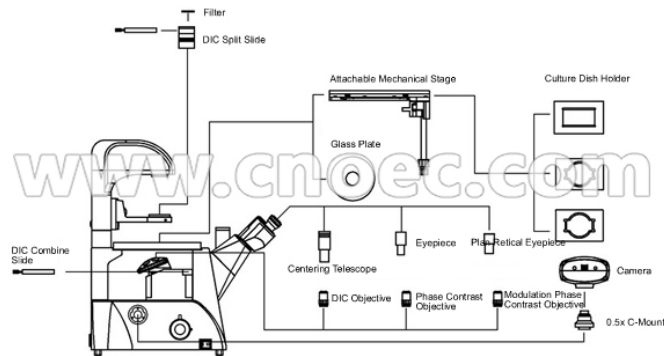
Gemel Mode Binocular Head, Inclined 45 Degree, Designed For Operator's Cervix And Shoulder Released From Long Time Working, Including WF10x/22mm Wide Field Eyepieces.

Intergrated Illumination Can Make Up The Difference Of Halogens By Adjusting The Spacial Position. Fully Taken The Cooling Effect Of Illumination System Into Account, The Surface Temperature Of Lamp House Keep Lower.

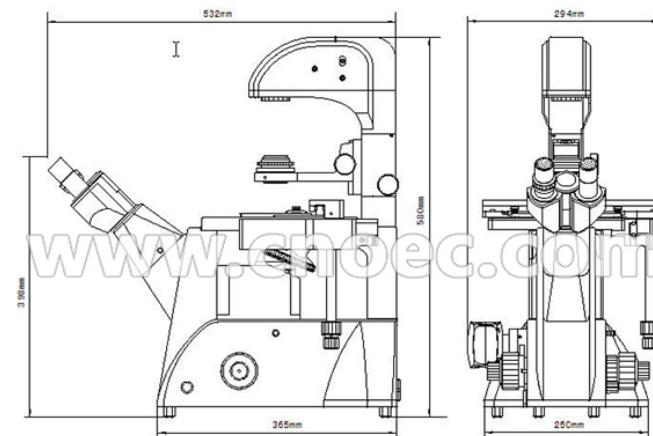


Condenser System Designed To Be Switched In Or Out Of Light Path, Suited For Tissue Observation In High Culture Dish

Photo Adapter On Left Side Of Main Body, With 100% Light Flux, Designed For Low Light Microphotography Condition.



A19.0204 Inverted Phase Contrast Microscope, DIC, System Diagram



A19.0204 Inverted Phase Contrast Microscope, DIC, System Size



Opto-Edu (Beijing) Co., Ltd.

 0086 13911110627

 sale@optoedu.com

 cnoec.com

F-1501 Wanda Plaza, No. 18 Shijingshan Road, Beijing 100043, China