



One Head Surgical Operating Microscope 0-200° Manual Zoom 2.5x~21x Dental ENT A41.1925

Our Product Introduction

Basic Information

- Place of Origin: China
- Brand Name: CNOEC, OPTO-EDU
- Certification: CE,
- Model Number: A41.1925
- Minimum Order Quantity: 1 pc
- Price: FOB \$1~1000, Depend on Order Quantity
- Packaging Details: Carton Packing, For Export Transportation
- Delivery Time: 5~20 Days
- Payment Terms: T/T, West Union, Paypal
- Supply Ability: 5000 pcs/ Month

OPTO-EDU



Product Specification

- Binocular Observation: Tilting Head 0°-180° Viewing Angle Adjustable For User
- Magnification Of Binocular: 8X
- Magnification Of Eyepiece: 12.5X
- Interpupillary Distance: 50mm-80mm
- Diopter: ±7D
- Magnification Changer: 3-step Magnification Change: 0.6X,1X,1.6X
- Focal Length Of Objective: Two Objectives: F=200 & F=250mm (M45x0.75mm)
- Total Magnification: 4.8X, 8X, 12.8X, 6X, 10X, 16X
- Linear Field: 50mm, 30mm, 19mm, 40mm, 24mm, 15mm
- Filter: Built-in Green And Yellow Filters
- Highlight: **One Head Surgical Operating Microscope,
Zoom 2.5x Surgical Operating Microscope,
Dental ENT Surgical Microscope**

for more products please visit us on cnoec.com

Product Description

One Head Surgical Operating Microscope 0-200° Manual Zoom 2.5x~21x Dental ENT A41.1925

A41.1921, A41.1925 Surgical Operation Microscope

A41.1921 Operating Microscope, is Best Choice for ENT, Dental Operation. It has one head which can tilt 0~200° freely, using fiber-optic cable for coaxial illumination up to 60000 lux, manual 6 steps zoom body, total magnification 2.7x, 4.5x, 7.2x, 10.8x, 18x, 27x, featured with objective F=250mm, optional objectives F=175mm, 200mm, 300mm, 350mm, 400mm, 450mm, and big zoom 180~300mm, and 200~500mm. it is widely used in hospital for Ear, Nose, Throat (ENT), and dental.

A41.1925 is upgraded version, with continuous zoom body 2.5x~21x, instead of 6 steps zoom. Using high resolution optical system, the microscope has three-dimensional sense of strong, large depth of field, LED cold light source and optical fiber coaxial illumination.

Both models can upgrade with optional assistant head, beam splitter, SLR camera adapter, phone holder, CCD adapter for digital camera, for sharing real time image to LCD monitor, mobile phone or computer.

Features:

- One Binocular Head, Tilttable 0~200°, Interpupillary 55-75mm, Diopter +/-6D
- Eyepiece 12.5x, 6 Steps Manual Zoom, Magnification 2.7x, 4.5x, 7.2x, 10.8x, 18x, 27x, 12.6x, or Zoom 2.5x~21x
- Objective F=250mm, View Field Dia.74.1~7.4mm, Head X/Y Swing +/-45°
- LED Cold Light, Max Brightness 60000Lux, Light Spot Dia.80mm, With Blue/Yellow Filters
- Four Wheels Stand Swing Angle of Carry Arm 0~300°, Height From Objective to Floor 730mm

	A41.1921	A41.1925
Main Usage	Ear, Nose, Throat (ENT), Dental	
Head	Binocular Head 0°~200° Angle Adjustable, Interpupillary Distance 55~75mm By Knob, Swing X-Y Direction +/-45°	
Diopter	Both Left & Right Eyetube Diopter Adjustable ±6D	
Eyepiece	WF12.5x	
Zoom Body	1:6 Manual Continuous Zoom, Parallel Light System	
Objective	F=250mm, Optional F=175mm, 200mm, 300mm, 350mm, 400mm, 450mm, 180~300mm, 200~500mm	
Magnification	6 Steps 2.7x, 4.5x, 7.2x, 10.8x, 18x, 27x	2.5x~21x Continuous Zoom
View Field	Dia.74.1, 44.5, 27.8, 18.5, 11.1, 7.4mm	Dia.78.6~9mm
Focusing	Manual Focus	
Stand	Four Wheels Moving Stand --Max Extended Length 1100mm --Max Rotatable Swing Angle of Arm 0~300° --Distance Between Objective And Ground Surface 730mm~1250mm	
Illumination	Optical Fiber Coaxial LED Cold Light Illumination, Light Spot Dia.80mm, Intensity 60000 Lux, Built-in Small-spot, Blue & Yellow Filters.	
Packing	3 Cartons Total G.W 111Kg, Volume 0.381CBM Head: 595×460×230(mm)/11kg Body: 1200*545*250 (mm)/32kg Stand:785*785*250(mm)/68kg	



OPTO-EDU (BEIJING) CO., LTD.

OPTO-EDU

F-1501 Wanda Plaza, No.18 Shijingshan Road, Beijing 100043, China
Tel:+8610 88696020 Fax:+8610 88696085

A41.1925
Operating Microscope, One Head 0-200°
Manual Zoom 2.5x~21x,
For Dental, ENT



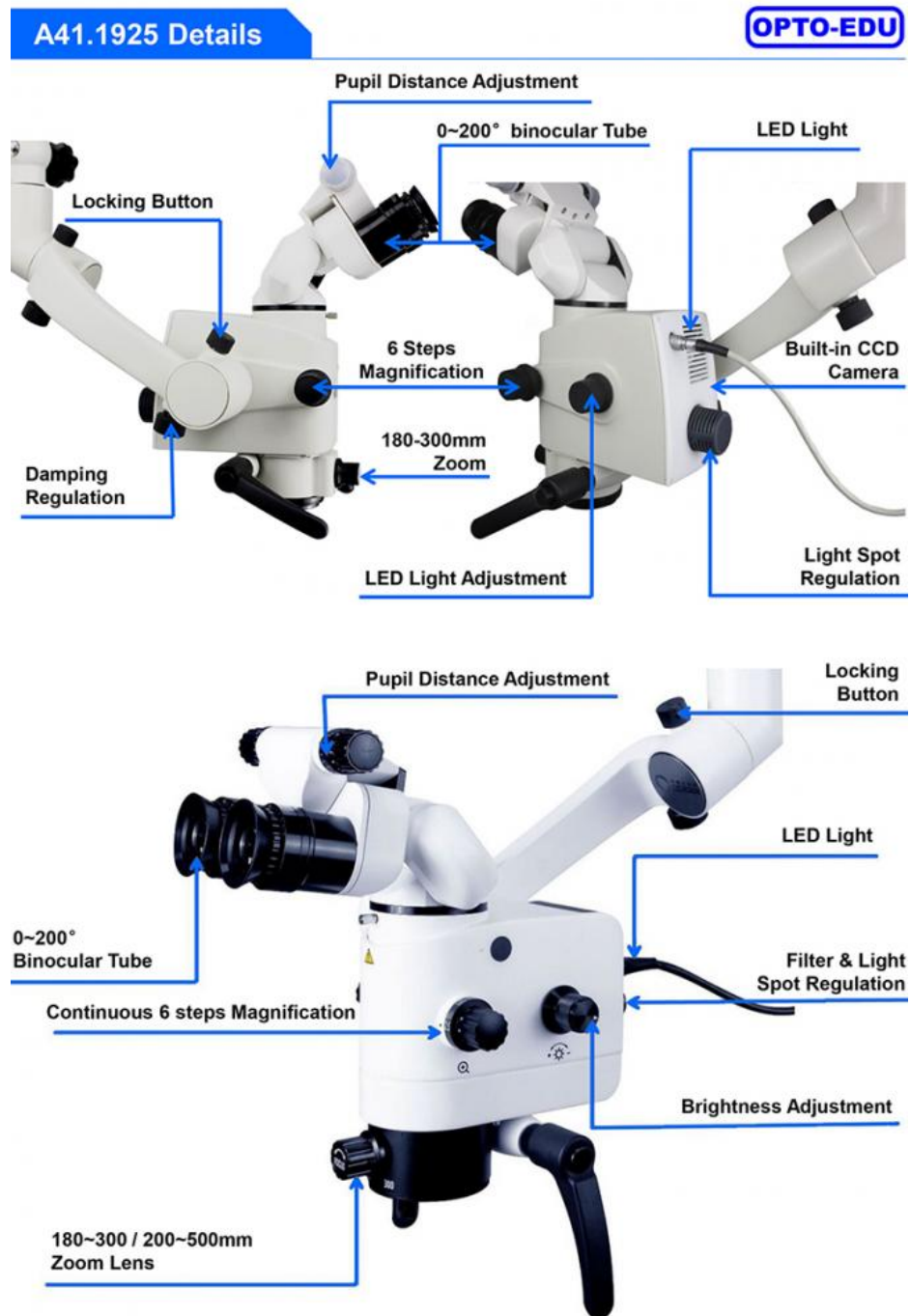
A41.1925 Details

OPTO-EDU



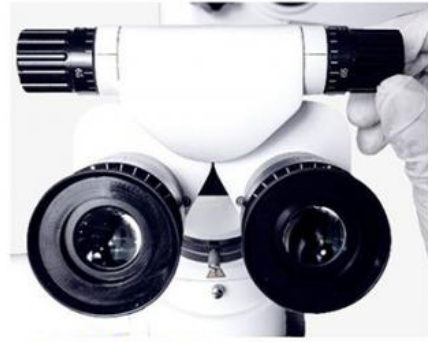
A41.1925 Operating Microscope, One Head 0-200°, Manual Zoom, 2.5x~21x, For Dental, ENT

- One Binocular Head, Tilttable 0~200°, Interpupillary 55-75mm, Diopter +/-6D
- Manual Continuous Zoom 1:6, Magnification 2.5x~21x, Beam Splitter Optional
- Objective F=250mm, View Field Dia.78.6~9mmmm, Head X/Y Swing +/-45°
- LED Cold Light, Max Brightness 60000Lux, Light Spot Dia.80mm, With Blue/Yellow Filters
- Four Wheels Stand Swing Angle of Carry Arm 0~300°Objective to Floor Height 730mm



**Adjustable Eyecup**

Eyepiece suitable for with glass and without glass

**Adjustable Pupillary Distance**

Pupil distance 55mm~75mm

**360° Revolving Handle**

The handle can be rotated at 360 degrees to fully meet the use of each operation.

Obliquely Pendulum Binocular

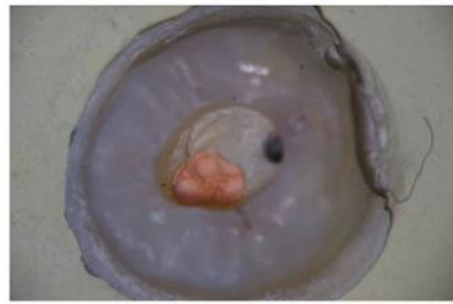
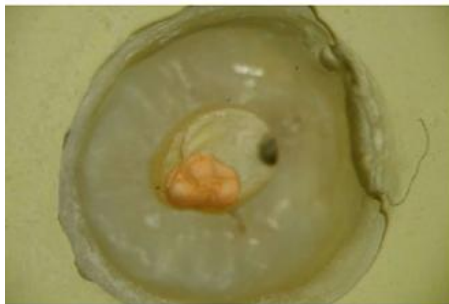
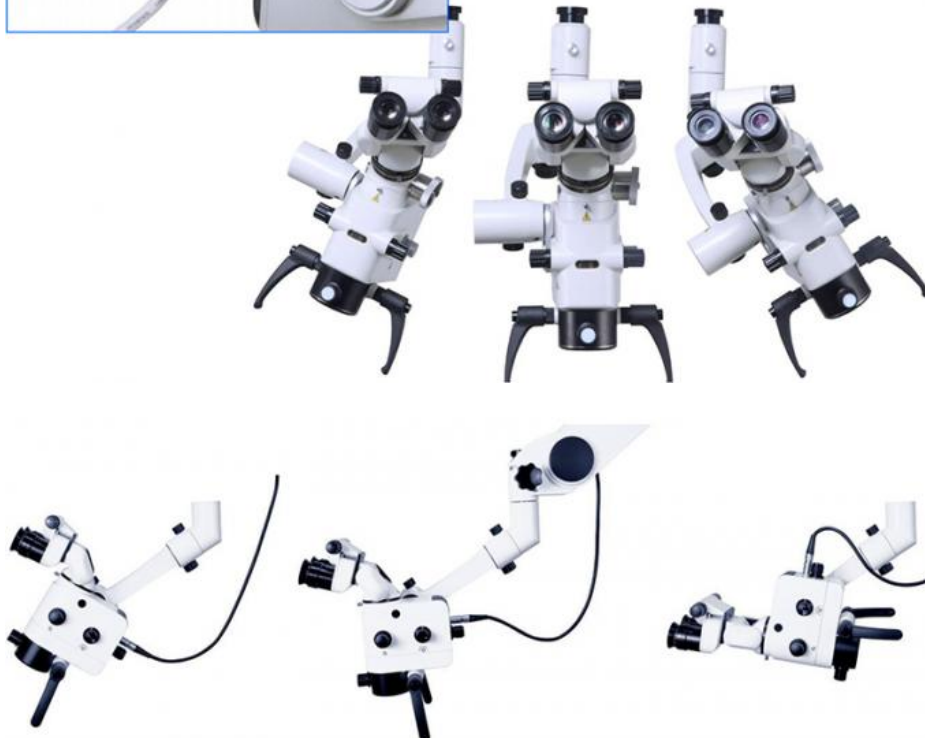
In the condition that the eyepiece is at the same level, the doctor's sitting posture is constant, and the main mirror can swing right and left to observe different positions.





120° super balancing arm sures

Smooth, fluid and perfect balance during repositioning of the microscope. The head easy to stop at any position



LED Light Source

Long life medical LED white light source, high color temperature, high color rendering index, high brightness, high degree of reduction, long time use and no fatigue. Compared with traditional halogen lamp, it is more suitable for Department of Stomatology operation needs. LED energy consumption is low, the service life can be up to 100 thousand hours.



Color Filter

Built in yellow and green color, yellow green color, adjust the ordinary paddles through the built-in button, yellow spot can prevent the resin curing fast, green spot can more clearly see the blood vessels under the environment.



Packing

Package 3 Cartons, Total G.W
111Kg, Volume 0.381CBM

4 Kinds Of Head Angle

OPTO-EDU



0~ 200° Binocular (For A41.1925)

Ultra Large Angle Flexible Adjustment, It allows the clinician to choose the best angle of posture to create a comfortable and favorable operating environment.
Suitable For Dental Surgery

Optional Head With Different Angle Adjustment For Dental/ENT Surgery



30~90° Binocular

Angle adjustable. Suitable for Dental surgery



45° Binocular

Fixed Angle Binocular, Suitable for Dental surgery



90° Binocular

Fixed Angle Binocular, Suitable for ENT surgery

A41.1925 Details

OPTO-EDU

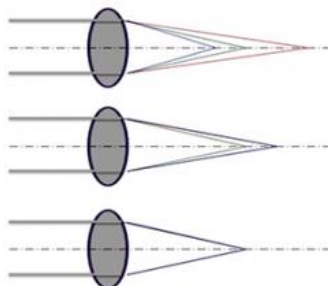
Multilayer Coating Technology, The Light Transmittance Is Up To 98%

Through multilayer coating technology, we can reduce light reflection attenuation, increase light transmission and improve brightness. The multilayer coating technology we use can achieve optical energy passing rate of 98%.



WF12.5X High Point Eyepiece

The unique design of the optical system, convenient for doctors with glasses.

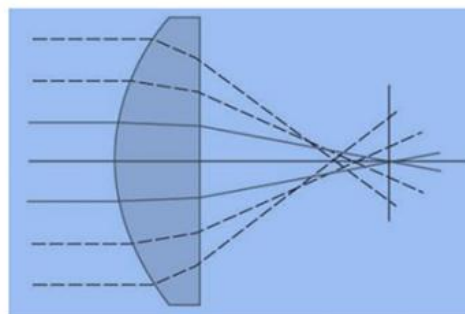
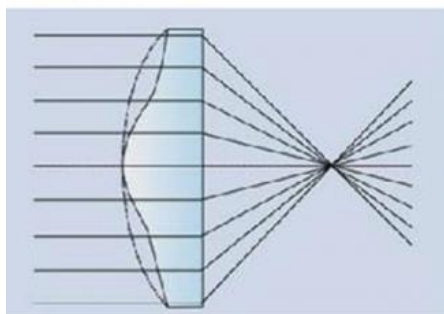


Complex Achromatic Objective Lens

Optical design of apochromatic correction can not only red green and blue three colors. Can correct the aberration of red, blue two color lights. Improve image resolution, contrast and depth of field

Aspheric Lighting Technology, Better Light Gathering Effect

The spherical illumination can not refract the light to the same surface, and cause the light to be more dispersed on the surface. The aspheric technology can increase the concentration effect and improve the brightness.





Camera System

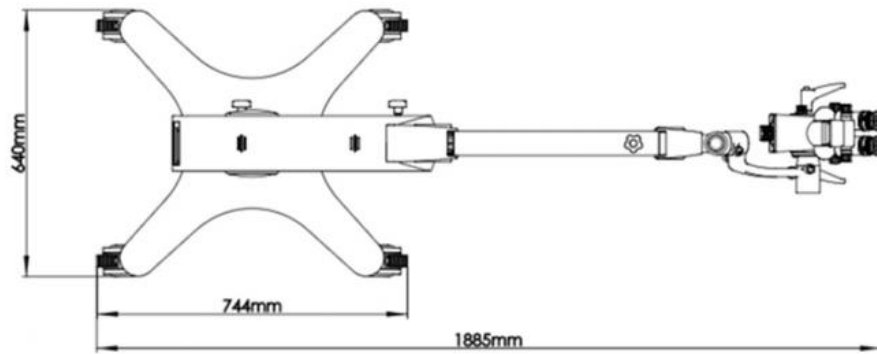
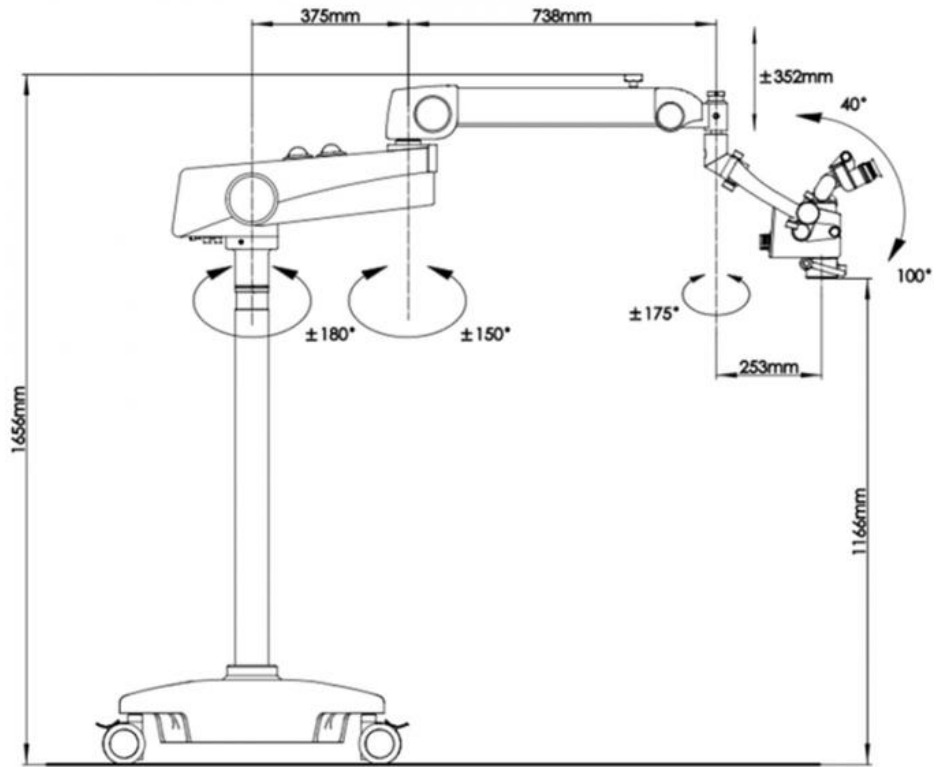
Configure the wireless mouse operation, without the computer, free access to high definition images. The product interface is rich, HDMI and USB are synchronously output, high speed SD cards are photographed or recorded video. At the same time, it has the same screen image contrast, HDR (wide dynamic), image freezing, image inversion, digital amplification and other functions. It is widely used in video conferencing, telemedicine, micrograph, video projection and other fields.



A41.1921



A41.1925



A41.19 Series Model & Selection Guide



Picture	Model	Magnification	Head & C-Mount	Standard Objective	Optional Objective	Optional	Light Source	Control	Package	Application
	A41.1921	6 Steps, 2.7x, 4.5x, 7.2x, 10.8x, 18x, 27x	One Head 0~200°	F=250mm	F=175mm F=200mm F=300mm F=350mm F=400mm F=450mm F=180~300mm F=200~500mm	Assistant Head Beam Splitter SLR Adapter Phone Holder CCD Adapter	LED 60000 lux	Manual	3 Cartons, Total G.W 111Kg, Volume 0.381CBM	ENT Dental
	A41.1925	2.5x~21x	One Head 0~200°	F=250mm	F=175mm F=200mm F=300mm F=350mm F=400mm F=450mm F=180~300mm F=200~500mm	Assistant Head Beam Splitter SLR Adapter Phone Holder CCD Adapter	LED 60000 lux	Manual	3 Cartons, Total G.W 111Kg, Volume 0.381CBM	ENT Dental
	A41.1931	3 Steps, 6x, 10x, 16x	Dual Head 90° 45°+45°	F=200mm	F=175mm F=250mm F=300mm F=350mm F=400mm F=450mm	Beam Splitter SLR Adapter Phone Holder CCD Adapter	Halogen 60000 lux	2 Function Foot Switch Z (Focus)	3 Cartons, Total G.W 104Kg, Volume 0.346CBM	Ophthalmology Fundus Surgery
	A41.1932	3 Steps, 6x, 10x, 16x	Dual Head 45°+45°	F=200mm	F=175mm F=250mm F=300mm F=350mm F=400mm F=450mm	Beam Splitter SLR Adapter Phone Holder CCD Adapter	Halogen 60000 lux	6 Function Foot Switch X/Y/Z	3 Cartons, Total G.W 104Kg, Volume 0.346CBM	Ophthalmology Fundus Surgery
	A41.1935	Motor Zoom 4.5x~27.3x	Dual Head 30°~90°+45°	F=200mm	F=175mm F=250mm F=300mm F=350mm F=400mm F=450mm	Beam Splitter SLR Adapter Phone Holder CCD Adapter	Halogen Dual Fiber 100000 lux	8 Function Foot Switch X/Y/Z/Zoom	4 Cartons, Total G.W 165Kg, Volume 0.45CBM	Ophthalmology Fundus Surgery
	A41.1941	3 Steps, 6x, 10x, 16x	Dual Head 45°+45°	F=200mm	F=175mm F=250mm F=300mm F=350mm F=400mm F=450mm	Beam Splitter SLR Adapter Phone Holder CCD Adapter	Halogen 60000 lux	2 Function Foot Switch Z (Focus)	3 Cartons, Total G.W 104Kg, Volume 0.346CBM	Orthopedics, Plastic Surgery, Hand Surgery, Thoracic Surgery
	A41.1942	3 Steps, 6x, 10x, 16x	Dual Head 45°+45°	F=200mm	F=175mm F=250mm F=300mm F=350mm F=400mm F=450mm	Beam Splitter SLR Adapter Phone Holder CCD Adapter	Halogen 60000 lux	6 Function Foot Switch X/Y/Z	3 Cartons, Total G.W 104Kg, Volume 0.346CBM	Orthopedics, Plastic Surgery, Hand Surgery, Thoracic Surgery
	A41.1945	Motor Zoom 4x~24x	Dual Head 30°~90°+45°	F=200mm	F=175mm F=250mm F=300mm F=350mm F=400mm F=450mm	Beam Splitter SLR Adapter Phone Holder CCD Adapter	Halogen Dual Fiber 100000 lux	8 Function Foot Switch X/Y/Z/Zoom	4 Cartons, Total G.W 185Kg, Volume 0.45CBM	Orthopedics, Plastic Surgery, Hand Surgery, Thoracic Surgery
	A41.1950	Motor Zoom 3x~16x	Dual Head 30°~90°+0° Beam Splitter	F=300mm Or F=250mm	F=175mm F=200mm F=250mm F=300mm F=350mm F=350mm F=450mm	SLR Adapter Phone Holder CCD Adapter	Halogen Dual Fiber 100000 lux	8 Function Handle or Foot Switch X/Y/Z/Zoom	4 Cartons, Total G.W 169Kg, Volume 0.45CBM	Neurosurgery Brain Surgery Dental ENT
	A41.1951	1.8x~21x	Dual Head 0°~200°+0° Beam Splitter Built-in CCD Software	Built-in F=200~450mm	/	SLR Adapter Phone Holder	LED +Halogen Dual Fiber 100000 lux	12 Function Handle X/Y/Z/Zoom Auto Focus XY Pendulum Photo/Video Brightness	4 Cartons, Total G.W 169Kg, Volume 0.45CBM	Neurosurgery Brain Surgery Dental ENT

A41.19 Series Optional Accessories

OPTO-EDU

Optional Accessories		Optional For	Cata. No
Objective		F=175mm	A52.1941-175
		F=200mm	A52.1941-200
		F=250mm	A52.1941-250
		F=300mm	A52.1941-300
		F=350mm	A52.1941-350
		F=400mm	A52.1941-400
Zoom Objective		F=180-300mm	A41.192x Series A52.1941-180300
		F=200-500mm	A41.192x Series A52.1941-200500
Head		Assistant Binocular Head	A41.192x Series A53.1941
Beam Splitter		Wedge-shaped Splitter, 1 Port	A41.192x Series A55.1941
		Beam Splitter, 2 Ports	A41.193x Series A41.194x Series A55.1942
Adapter		SLR Digital Camera Adapter, For Canon or Nikon (Need Confirm Which Brand When Order)	A41.192x Series A41.193x Series A41.194x Series A41.195x Series All Models A55.1943
		Mobile Phone Adapter & Holder	A41.192x Series A41.193x Series A41.194x Series A41.195x Series All Models A55.1944
		Digital CCD Camera Adapter	A41.192x Series A41.193x Series A41.194x Series A41.195x Series All Models A55.1945
Digital Camera		38M, 1/2.3", Output HDMI+USB+TF Card, HDMI Resolution Photo 60M, Video 2K@30FPS, 1080p@60FPS, USB Resolution 2.0M, HDMI+USB Output At Same Time, USB Measuring Function, Input DC12V, C/CS Mount, Including HDMI Cable, USB Cable, Remote Controller, Adapter, Manual, 16G TF Card	A41.192x Series A41.193x Series A41.194x Series A41.195x Series All Models A59.4231
Light Source		Xeon Light Source, 250W	A41.193x Series A41.194x Series A41.195x Series A56.4844
BIOM System Kit		For Fundus Surgery, Splitter+Holder+130°+90° Lens, Mounting Kits For Zeiss, Leica, Topcon	A41.193x Series A55.1931



Opto-Edu (Beijing) Co., Ltd.

☎ 0086 13911110627

✉ sale@optoedu.com

🌐 cnoec.com

F-1501 Wanda Plaza, No. 18 Shijingshan Road, Beijing 100043, China