



0.66 - 5.1x Zoom Stereo Stereo Optical Microscope Track and Pole Stand A23.2605

Our Product Introduction

for more products please visit us on cnoec.com

Basic Information

- Place of Origin: China
- Brand Name: CNOEC
- Certification: CE, Rohs
- Model Number: A23.2605
- Minimum Order Quantity: 1
- Price: FOB \$100~1000, Depend on Order Quantity
- Packaging Details: Carton Packing
- Delivery Time: 5-30
- Payment Terms: L/C, T/T, Western Union
- Supply Ability: 10000



Product Specification

- Light: 3W LED
- Zoom Range: 0.66x - 5.1x
- Magnification: 6.6x - 51x
- Highlight: stereo zoom microscopes, stereo dissecting microscope



More Images



Product Description

0.65-5.3x Zoom Lens, High Zoom Ratio 1:8.1, Outstanding Ergonomic Design
Total Magnification Up To 3.25x~212x (View Field 73.85~1.23mm) With Optional Eyepiece & Lens
Binocular & Trinocular Head 35° Viewing Angle Large View WF10x/24mm Eyepiece
Zoom Knob With Magnifying Stop Pin Enable User To Limit Zoom Range As Need Easily
Large Track Stand 330x330x High Stability, Reflect & Transmit 3W LED Light Available

Our Product



A23.2603/A23.2604/A23.2605 Zoom Stereo Microscope



A23.2603/A23.2604/A23.2605 Zoom Stereo Microscope



A23.2603-B



A23.2603-BL



A23.2604-B/A23.2605-B



A23.2604-BL/A23.2605-BL



A23.2604-T/A23.2605-T



A23.2604-TL/A23.2605-TL

Product General Layout Diagram



Trinocular + SLR Camera



Trinocular + WiFi Camera



Eyepiece Tube Dia.30mm, High Eyepoint, Diopter Adjustable

Eyepiece

Eyepiece tube Dia.30mm, High eyepoint, diopter adjustable



Zoom Lens

With auxiliary 0.5x/0.75x/2.0x lens to get higher magnification

| A23.2603 Zoom Lens 0.7x~4.5x, Zoom Ratio 1:6.5 Technical Data | | | | | |
|--|-----------------|--------------|--------------|---------------|------------|
| Auxiliary Lens | | 0.5x | 0.75x | 1x (Standard) | 2.0x |
| Working Distance | | 184mm | 128 mm | 108mm | 40mm |
| Eyepieces 10x/22mm | Magnification | 3.5x~22.5x | 5.25x~33.75x | 7x~45x | 14x~90x |
| | View Field (mm) | 62.86~9.78 | 41.91~6.52 | 31.43~4.89 | 15.72~2.45 |
| Eyepieces 15x/16mm | Magnification | 5.25x~33.75x | 7.87x~50.63x | 10.5x~67.5x | 21x~135x |
| | View Field (mm) | 48.57~7.56 | 32.38~5.04 | 24.29~3.78 | 12.14~1.89 |
| Eyepieces 20x/12mm | Magnification | 7x~45x | 10.5x~67.5x | 14x~90x | 28x~180x |
| | View Field (mm) | 37.14~5.78 | 24.76~3.85 | 18.57~2.89 | 9.29~1.44 |
| A23.2604 Zoom Lens 0.68x~4.7x, Zoom Ratio 1:6.8 Technical Data | | | | | |
| Auxiliary Lens | | 0.5x | 0.75x | 1x (Standard) | 2.0x |
| Working Distance | | 184mm | 128 mm | 108mm | 40mm |
| Eyepieces 10x/23mm | Magnification | 3.4x~23.5x | 5.1x~35.3x | 6.8x~47x | 13.6x~94x |
| | View Field (mm) | 67.65~9.75 | 45.1~6.52 | 33.82~4.89 | 16.91~2.45 |
| Eyepieces 15x/16mm | Magnification | 5.1x~35.3x | 7.65x~52.9x | 10.2x~70.5x | 20.4x~141x |
| | View Field (mm) | 50.0~7.23 | 33.33~4.82 | 25.0~3.62 | 12.5~1.81 |
| Eyepieces 20x/12mm | Magnification | 6.8x~47x | 10.2x~70.5x | 13.6x~94x | 27.2x~188x |
| | View Field (mm) | 38.24~5.53 | 25.49~3.69 | 19.12~2.77 | 9.56~1.38 |
| A23.2605 Zoom Lens 0.65x~5.3x, Zoom Ratio 1:8.1 Technical Data | | | | | |
| Auxiliary Lens | | 0.5x | 0.75x | 1x (Standard) | 2.0x |
| Working Distance | | 184mm | 128 mm | 108mm | 40mm |
| Eyepieces 10x/24mm | Magnification | 3.25x~26.5x | 4.88x~39.75x | 6.5x~53x | 13x~106x |
| | View Field (mm) | 73.85~9.06 | 49.18~6.04 | 36.92~4.53 | 18.46~2.27 |
| Eyepieces 15x/16mm | Magnification | 4.88x~39.75x | 7.32x~59.63x | 9.75x~79.5x | 19.5x~159x |
| | View Field (mm) | 52.25~6.42 | 34.84~4.28 | 26.15~3.21 | 13.08~1.6 |
| Eyepieces 20x/12mm | Magnification | 6.5x~53x | 9.75x~79.5x | 13x~106x | 26x~212x |
| | View Field (mm) | 40~4.91 | 26.67~3.27 | 20~2.45 | 10~1.23 |



Rotating Switching To Video Output And Input
100% Light Distribution

Trinocular Inclined 35°, Light Split Switch E100:P0/E0:P100
Rotating switching to video output and input, 100% light distribution



Zoom Knob With Magnifying Stop Pin, User Can
Limit The Zoom Range As Per Self-choice

Zoom Knob

Zoom knob with magnifying stop pin, User can limit the zoom range as per self-choice

Product Accessories



A53.2650-E50P50
Trinocular Head Inclined 35° , Light Split Fixed E50:P50 (Optional)



A55.2601-SZ05 0.5x C-Mount **A55.2601-SZ07** 0.7x C-Mount **A55.2601-SZ10** 1.0x C-Mount



A56.2617
LED Cold Light, 10W-30W



A56.2617
Halogen Cold Light Source, 150W



A51.2621-1022
WF10x/22mm



A51.2621-1023
WF10x/23mm



A51.2621-1024
WF10x/24mm



A51.2621-1516
WF15x/16mm



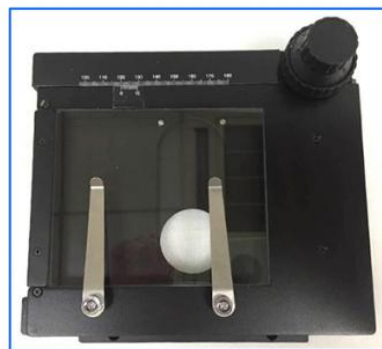
A51.2621-2012
WF20x/12mm



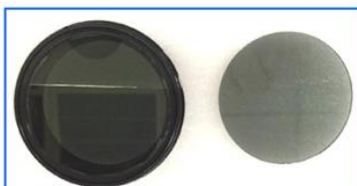
A52.2621-05 0.5x Auxiliary Lens **A52.2621-75** 0.75x Auxiliary Lens **A52.2621-20** 2.0x Auxiliary Lens



A56.2602-R Connect Ring
A56.2103-A LED Ring Light



A54.1632
Mechanical Stage



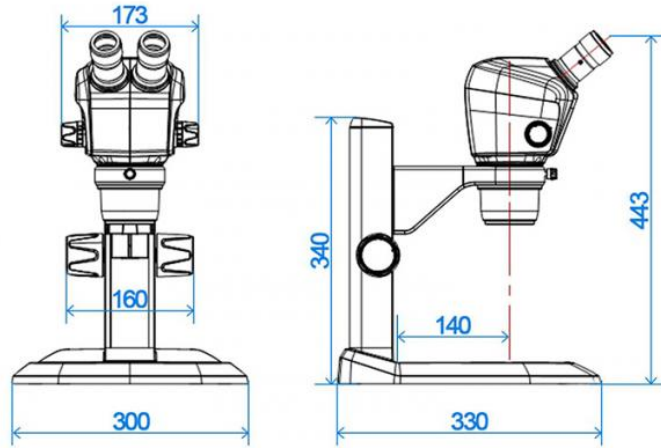
A5P.2604
Polarizer + Analyzer



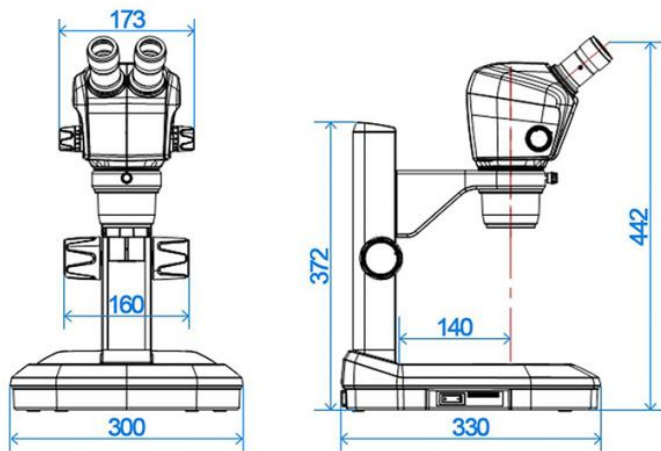
A58.2002
Eyepiece Micrometer

Product Size(mm)

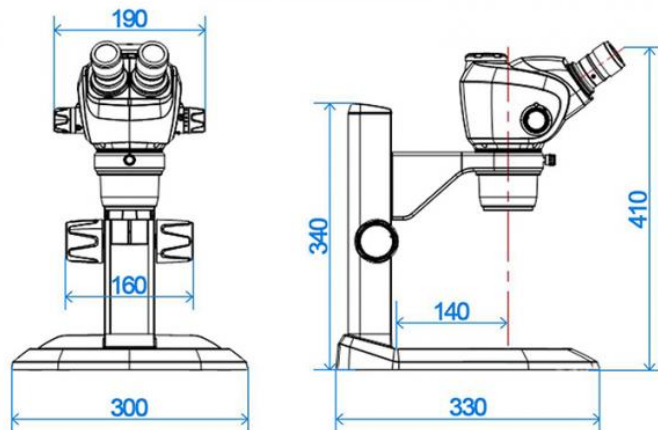
A23.2603 With No Light Large Track Stand



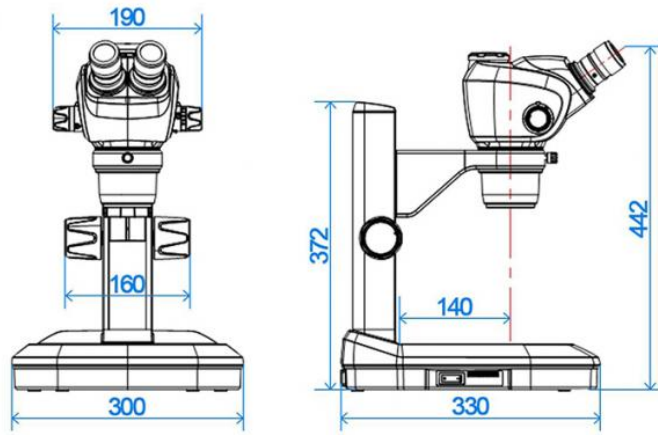
A23.2603 With LED Large Track Stand



A23.2604/A23.2605 With No Light Large Track Stand



A23.2604/A23.26005 With LED Large Track Stand



Opto-Edu (Beijing) Co., Ltd.

☎ 0086 13911110627

✉ sale@optoedu.com

🌐 cnoec.com

F-1501 Wanda Plaza, No. 18 Shijingshan Road, Beijing 100043, China