



## Infinity Plan Phase Contrast Microscope with Kohler 3W LED Illumination A19.0907

Our Product Introduction

for more products please visit us on [cnoec.com](http://cnoec.com)

### Basic Information

- Place of Origin: China
- Brand Name: CNOEC, OPTO-EDU
- Certification: CE,
- Model Number: A19.0907
- Minimum Order Quantity: 1 pc
- Price: FOB \$1~1000, Depend on Order Quantity
- Packaging Details: Carton Packing, For Export Transportation
- Delivery Time: 5~20 Days
- Payment Terms: T/T, West Union, Paypal
- Supply Ability: 5000 pcs/ Month

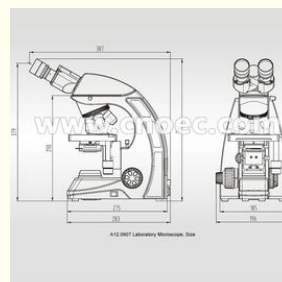


### Product Specification

- Certification: CE
- Drawtube: Binocular
- Illumination: LED
- Theory: Phase Contrast Microscope
- Condensor: Kohler N.A. 1.25
- Nosepiece: Backward Quadruple
- Highlight: **phase contrast microscopes, inverted phase contrast microscope**



### More Images



## Product Description

### Infinity Plan Phase Contrast Microscope with Kohler 3W LED Illumination A19.0907

- Compact Design For Appearance And Structure, with Infinity Color Correct Optical System
- Ergonomic Design, Easy Operation, Outstanding Optical Performance, Clear and Bright Image
- Specially Developed for Phase Contrast Observation, High Contrast, High Resolution, Highlight the Cell Outline and Internal Structure
- High Precision Focusing Device and COnvenient Illumination Adjustment

A19.0907 Phase Contrast Microscope	
Head	Binocular, 30° Inclined, Interpupillary Distance 54-75mm
Eyepiece	PL10x/18mm, Wide Field, High Eye Point, Diopter Adjustable +/-5 Degree
Phase Contrast Set	Infinity Plan Phase Contrast Objective 10X/0.25
	Infinity Plan Phase Contrast Objective 20X/0.50
	Infinity Plan Phase Contrast Objective 40X/0.65
	Infinity Plan Phase Contrast Objective 100X/1.25
	Centering telescope
	Phase Contrast Slide, for 10x, 40x Infinity Objective
	Phase Contrast Slide, for 20x,100x Infinity Objective
Nosepiece	Backward Quadruple
Focusing	Low Position Coaxial Coarse & Fine Focusing Knob, with Safty Limitation and Tension Adjustment Ring. Coarse Range 25mm, Fine Precision 0.002mm
Working Stage	Double Layer Mechanical Stage 140*132mm, Moving Range 76*50mm, Precision 0.1mm
Condenser	Kohler N.A. 1.25, with Socket for Phase Contrast and Dark Field Slides, Center Fixed
Light Source	3W LED, Intensity Adjustable, Center Fixed
Power	90~240V Wide Range Power Supply



A19.0907 Phase Contrast Microscope



### A19.0907 Phase Contrast Microscope

T-shaped base and classic curve flank create this model excellent stability and rigid compact design. The overall shape compact and beautiful and save lab space.



#### Sensitive Dimming System

Adjusting light close to a straight line from low to high brightness dimming. It keeps sensitive and effective and overcome the jump phenomenon occurs, avoid the glare instantaneous cause dizziness.



#### Kohler Illumination Condenser

N.A.1.25 Kohler Illumination Condenser, with socket for phase contrast slide and dark field accessories



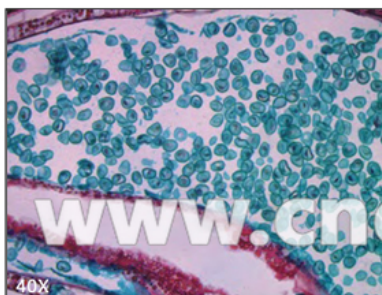
#### Safe Carrying Design

The hole on the back of the body make it safe and easy to carry the microscope anywhere

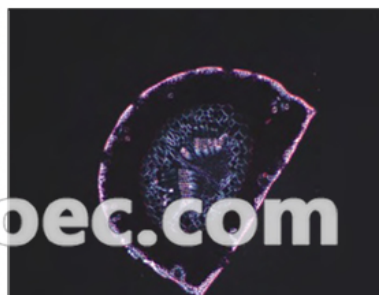


#### Phase Contrast Observation

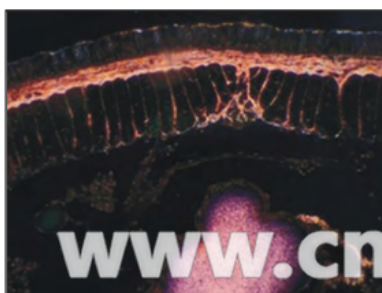
To insert a simple phase contrast flapper into the slot of condenser, then depending on the phase contrast objective, push the matching phase contrast ring into the optical path, phase contrast can be observed, simple and practical.



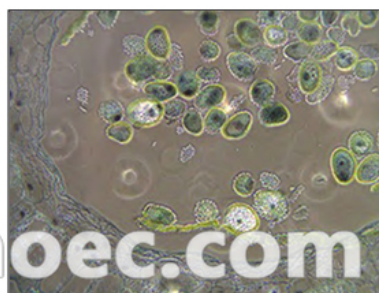
Bright Field, 40x, Male Cestode Strobila



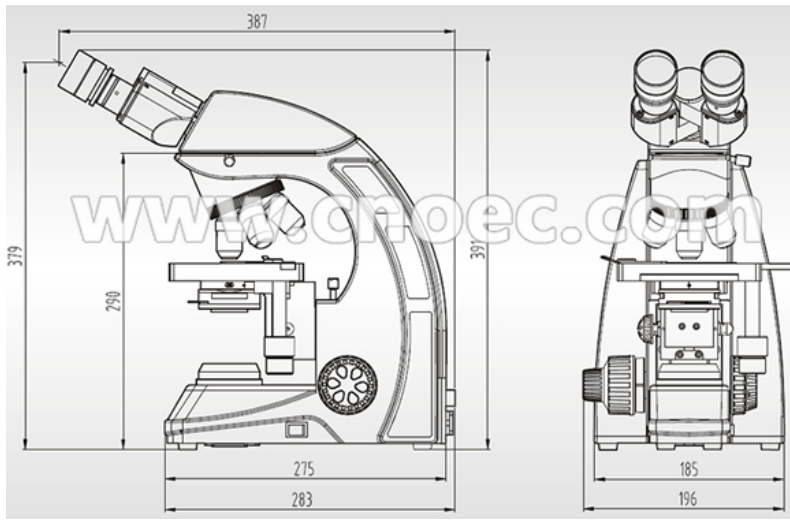
Polarizing, 40x, Pine Needles Orthogonal



Dark Field, 10x, Earthworm Cross Section



Phase Contrast, 40x, Lilyum Pollen



**Opto-Edu (Beijing) Co., Ltd.**

☎ 0086 13911110627

✉ sale@optoedu.com

🌐 cnoec.com

F-1501 Wanda Plaza, No. 18 Shijingshan Road, Beijing 100043, China