



## Opto-Edu A14.2603 Inverted Optical Microscope Trinocular Phase Contrast

Our Product Introduction

for more products please visit us on [cnoec.com](http://cnoec.com)

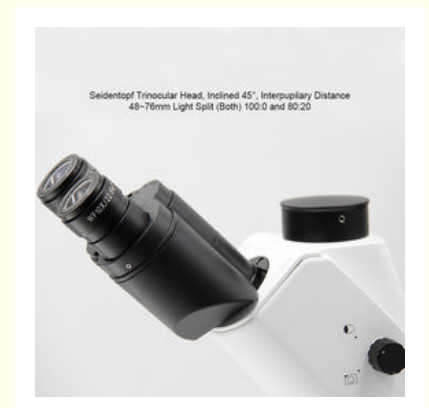
### Basic Information

- Place of Origin: China
- Brand Name: CNOEC, OPTO-EDU
- Certification: CE, Rohs
- Model Number: A14.2603
- Minimum Order Quantity: 1 pc
- Price: FOB \$1~1000, Depend on Order Quantity
- Packaging Details: Carton Packing, For Export Transportation
- Delivery Time: 5~20 Days
- Payment Terms: T/T, West Union, Paypal
- Supply Ability: 5000 pcs/ Month



### Product Specification

- Eyepiece: WF10x/22
- Nosepiece: 4 Holes
- Objectives: Achromatic 10x20x40x, Phase Contrast 20x
- Working Stage: Attached Mechanical Stage
- Condenser: Abbe N.A.0.3
- Focusing: Coaxial Coarse & Fine
- Highlight: **trinocular inverted optical microscope, phase contrast inverted optical microscope, trinocular inverted metallurgical microscope**



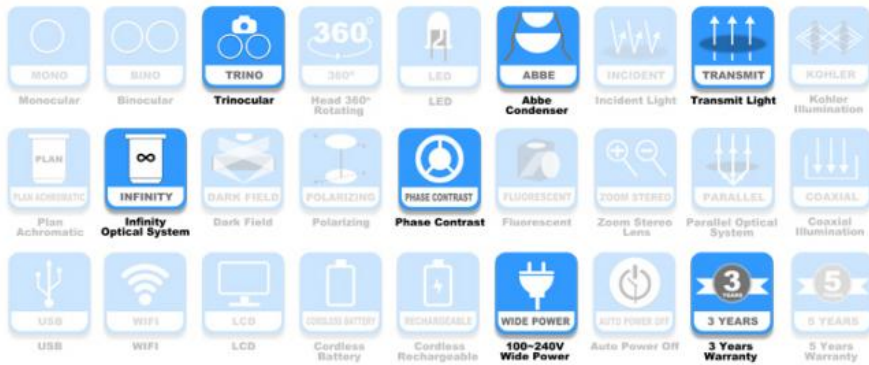
### More Images



## Product Description

### OPTO-EDU A14.2603 Trinocular Phase Contrast Inverted Biological Microscope

A14.2603 Inverted Biological Microscope is a kind of microscope whose objective is under the stage. The special design is for observing and operating specimen more convenient, especially for specimen of height. It's stage is mechanical stage, size 210x241mm, the round slide size is dia.118mm, with attachable mechanical stage for 96 holes plate, moving range 128x80mm. The illumination is transmit light, Koehler illumination halogen 6V30W.



### Parameter

A14.2603 Inverted Microscope Specification	
Head	Seidentopf Trinocular Head, Inclined 45°, Interpupillary Distance 48~76mm Light Split (Both) 100:0 and 80:20
Eyepiece	WF10x/22mm, Diopter Adjustable
Nosepiece	Large Diameter Quintuple
Objective	<b>LWD Infinity Plan Objective</b>
	LPL10x/0.25 WD=8.3mm
	LPL20x/0.40 WD=7.2mm
	LPL40x/0.60 WD=3.4mm
	<b>LWD Infinity Plan Phase Contrast Objective</b>
	20x/0.40 WD=7.2mm
Focus System	Low Position, Coaxial Coarse & Fine Focusing System, Coarse Stroke 42mm /Rotation, Fine Stroke 0.2mm /Rotation, Minimum Reading 2µm
Stage	Mechanical Stage Size 210x241mm, Round Slide Size Dia.118mm, With Attachable Mechanical Stage For 96 Holes Plate, Moving Range 128x80mm, With Culture Dish Holder 54mm, Knob Can Be Changed By Left Or Right
Condenser	Long Working Distance, N.A.0.3, Working Distance 72mm (With Condenser), 195mm (Without Condenser For Extra High Culture Dish), Quickly Detachable
Phase Contrast	Phase Contrast Annular Plate For 20x/40x
Filter	Blue, Green
Light Source	Transmit Light, Halogen 6V30W, Koehler Illumination
Power Supply	Wide Range Voltage 110~240V



**A14.2603**

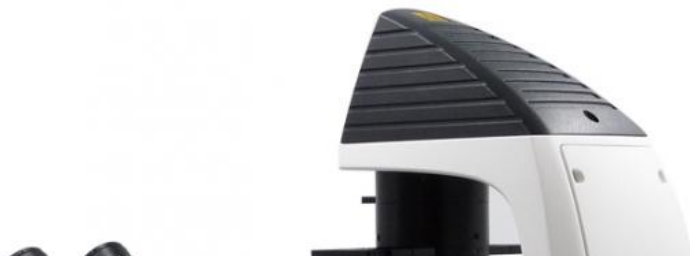
## **INVERTED BIOLOGICAL MICROSCOPE**

- 🔍 LWD Infinity Plan/Plan Phase Contrast Objective
- 💡 Transmittance Illumination, 6V30W Halogen Lamp, Koehler Illumination
- 👁️ Wide Field Eyepiece WF10x, View Field Up To  $\Phi$ 22mm

**Product Display**

## Size and Weight

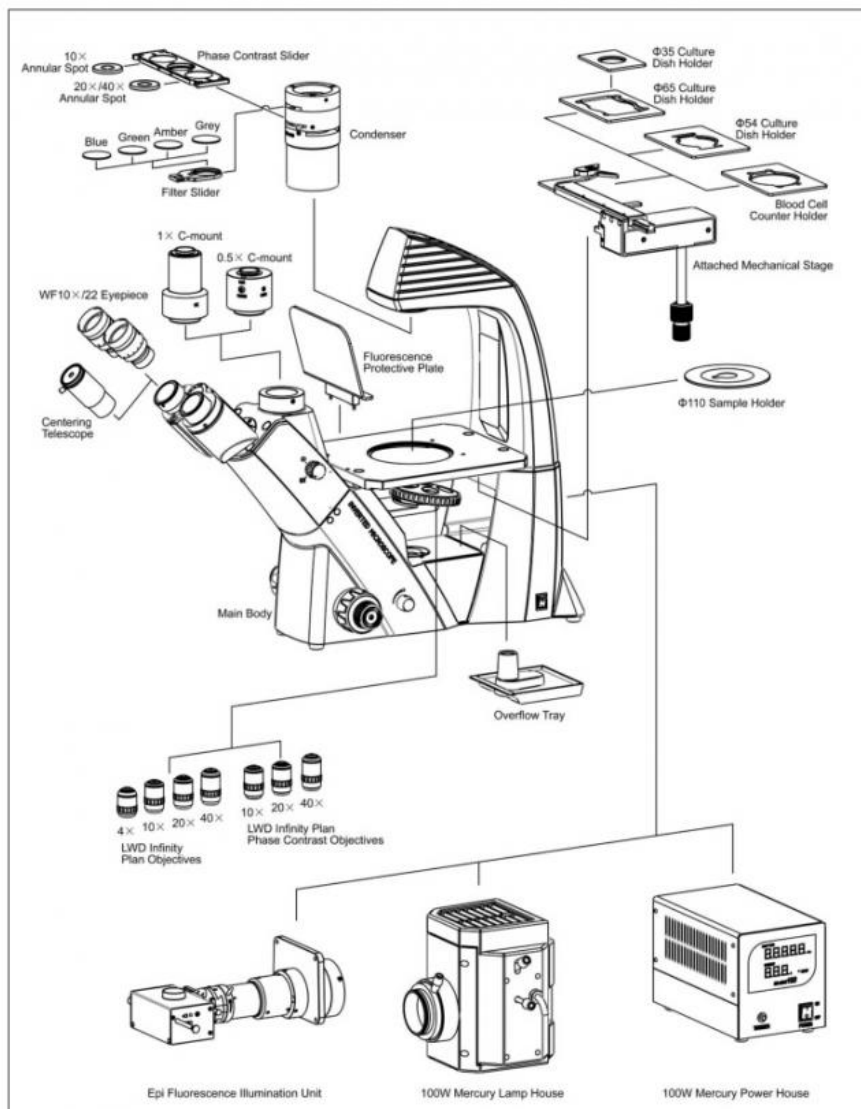
Product Size	40x20x54CM
Net Weight	13.6KG





 A14.2603 Inverted Biological Microscope

**A14.2603 Inverted Biological Microscope General Layout Diagram:**



## Optional Accessories:

Optional Accessories		
Eyepiece	WF15x/16mm	A51.2621-15A
	10x Reticle Eyepiece (0.1mm)	A51.2605-10
Objective	Infinity LWD Plan Objective LPL4x/0.11, WD=12.1mm	A52.2609-4A
	Infinity Plan Phase Contrast Objective 10x/0.25 W.D.=8.3 mm	A5C.2630-10A
	Infinity Plan Phase Contrast Objective 40x/0.60 W.D.=3.4 mm	A5C.2630-40A
	Infinity LWD Plan Objective (no cover glass) LPL5x/0.13, W.D.=24.23mm	A5M.2633-5
	Infinity LWD Plan Objective (no cover glass) LPL20x/0.40, W.D.=8.35mm	A5M.2633-20
	Infinity LWD Plan Objective (no cover glass) LPL50x/0.70(S), W.D.=1.95mm	A5M.2633-50
	Infinity LWD Plan Objective (no cover glass) LPL80x/0.80(S), W.D.=0.85mm	A5M.2633-80
Phase Contrast	Infinity LWD Plan Objective (no cover glass) LPL100x/0.90(S), W.D.=1.00mm	A5M.2633-100
	Centering Telescope	A5C.2610-B
Filter	Phase Contrast Annular Plate For 10x	A5C.2611-10
	Amber	A56.2616-A
Culture Dish Holder	Grey	A56.2616-N
	65mm	A54.2606-65
Adapter	35mm	A54.2606-35
	C-Mount Adapter 0.5x (Focus Adjustable)	A55.2601-05A
Fluorescence	C-Mount Adapter 1.0x	A55.2601-10
	Upgrade To A16.2613 Fluorescent Microscope by: --Epi Fluorescence Unit, Field Diaphragm, Center Adjustable --100W Mercury Lamp --Digital Mercury Lamp Power Box, Input Voltage: 100~240V --Fluorescent Filter B, G	A5F.2601-A





**Product Details**



## 01 HEAD

Seidentopf trinocular head light split (both) 100:0/80:20 with WF10x/22mm diopter adjustable eyepiece, inclined 45°, interpupillary distance 48-76mm.

## 02 NOSEPIECE

Large diameter quintuple under the stage.



## 03 WORKING STAGE

Mechanical stage size 210x241mm, round slide size dia.118mm, with attachable mechanical stage for 96 holes plate, moving range 128x80mm, with culture dish holder 54mm, knob can be changed by left or right.

## 04 FOCUSING

Low position, coaxial coarse & fine focusing system, coarse stroke 42mm /rotation, fine stroke 0.2mm /rotation, minimum reading 2 $\mu$ m.



## 05 LIGHT SOURCE

Transmit Light, Halogen 6V30W, Koehler Illumination.

## 06 CONDENSER

Long working distance, N.A.0.3, working distance 72mm (with condenser), 195mm (without condenser for extra high culture dish), quickly detachable.

## 07 POWER SOCKET

Wide range voltage 110V-240V, power cord detachable.







A14.2603-TR



Polarizer And Analyzer



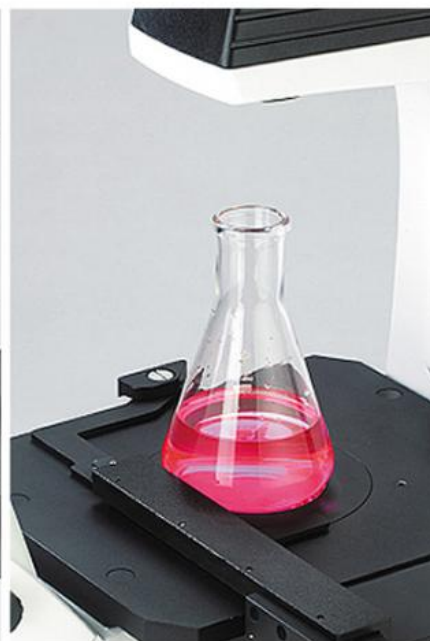
5W LED Reflected Light Source

**Related Products**



### Product Application

Inverted microscope is particularly suitable for living cells and tissues, fluids, sediments and other microscopic research. It is the ideal instrument for biology, cytology, oncology, genetics, immunology and other research work. Inverted microscope is widely used in scientific research, universities, medical, epidemic prevention and agriculture and animal husbandry and other departments.



### Packaging & Shipping

**PACKING:** Polyfoam protection and strong carton.

Package	1 Set/Carton, 66x60x33CM
Gross Weight	17KG
Packing	Polyfoam Protection And Strong Carton
Shipping Time	5-20 Days After Receive The Deposit



**SHIPPING TIME:** 5~20 days after receive the deposit.



**Company Information**



📍 OPTO-EDU is you're looking for, isn't it?

**OPTO-EDU** *cnoptec*

<p>25+ Yeas Professional Experience Know Micro- scopes Best</p>	<p><b>150+</b> 150+ Micro- scope &amp; Accessory Manufacturers From</p>	<p>200+ Hot Sale &amp; Newest Update Micr- scope Model Every Month</p>	<p><b>200+</b></p>	<p>1200+ Micro- scope Models To Creat One-Stop Purchase Platform</p>	<p><b>720+</b> 720+ Cus- tomers From All Over World Keep Rising</p>	<p>1200+ Micro- scope Models To Creat One-Stop Purchase Platform</p>	<p><b>1200+</b></p>	<p>OPTO-EDU As Famous Brand For Mi- croscope In China &amp; USA</p>	<p>Most Professional Sale Team Supply Best Microscope</p>
---	---	--	--------------------	--	---	--	---------------------	---	---

**Our Team And Our Factory.**

OPTO-EDU, as one of the most professional manufacturer and supplier of microscope in China, our sub-brand CNOPTEC series high end biological, laboratory, polarizing, metallurgical, fluorescene microscopes, CNCOMPARISON series forensic microscope, A63 series SEM microscope, and .49 series digital camera, LCD camera are very popular in the world market.



**Opto-Edu (Beijing) Co., Ltd.**

☎ 0086 13911110627    ✉ [sale@optoedu.com](mailto:sale@optoedu.com)    🌐 [cnoec.com](http://cnoec.com)

F-1501 Wanda Plaza, No. 18 Shijingshan Road, Beijing 100043, China