



OPTO-EDU A13.0202 Trinocular Handheld Digital Microscope 50X - 600X Magnification Binocular For Research

Our Product Introduction

Basic Information

- Place of Origin: China
- Brand Name: CNOEC, OPTO-EDU
- Certification: CE, Rohs
- Model Number: A13.0202
- Minimum Order Quantity: 1 pc
- Price: FOB \$1~1000, Depend on Order Quantity
- Packaging Details: Carton Packing, For Export Transportation
- Delivery Time: 5~20 Days
- Payment Terms: T/T, West Union, Paypal
- Supply Ability: 5000 pcs/ Month



Product Specification

- Application: Research|Metallurgical
- Certification: CE|Rohs
- Drawtube: Binocular
- Illumination: Halogen Lamp
- Magnification: 50X - 600X
- Theory: Metallurgical Optical Microscope
- Highlight: **usb digital microscope, infinity plan microscope**



More Images



for more products please visit us on cnoec.com

Product Description

Research Binocular Metallurgical Optical Microscope 50X - 600X A13.0202

Description:

This metallurgical microscope is used for identification and analysis of the structures in different metals and alloys, it is the important instrument for researching metallography in metal physics.

- Plan achromatic objectives with long working distance (no cover glass)
- Coaxial coarse/fine focusing system with tension adjustable and up stop
- 6V 20W halogen lamp with brightness control
- Trinocular head can switch between normal observation and polarizing observation



OPTO-EDU (BEIJING) CO., LTD.

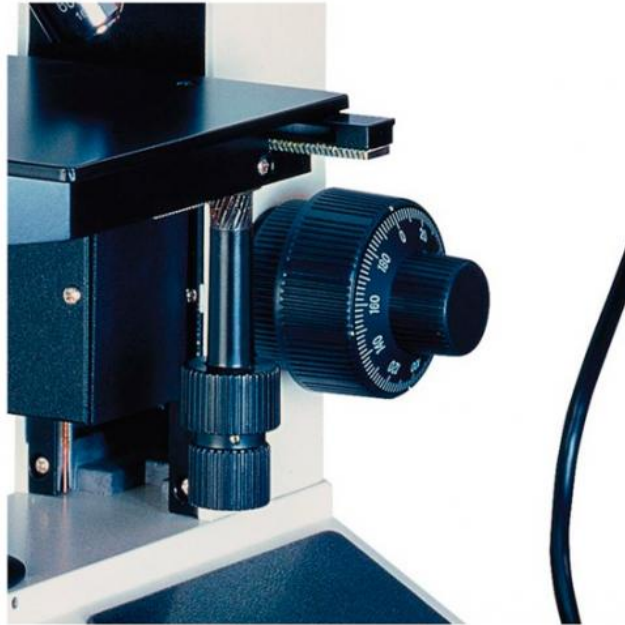
F-1501 Wanda Plaza, No.18 Shijingshan Road, Beijing 100043, China
Tel:+8610 88696020 Fax:+8610 88696085

A13.0202 Metallurgical Microscope, Reflect, Polarizing

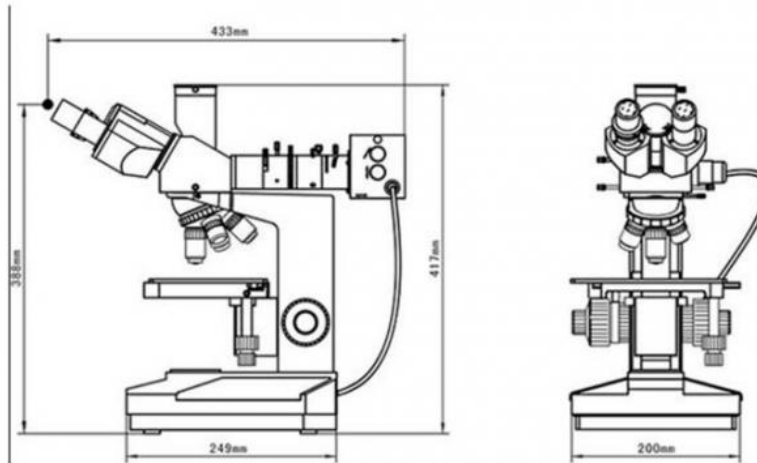


Product Details





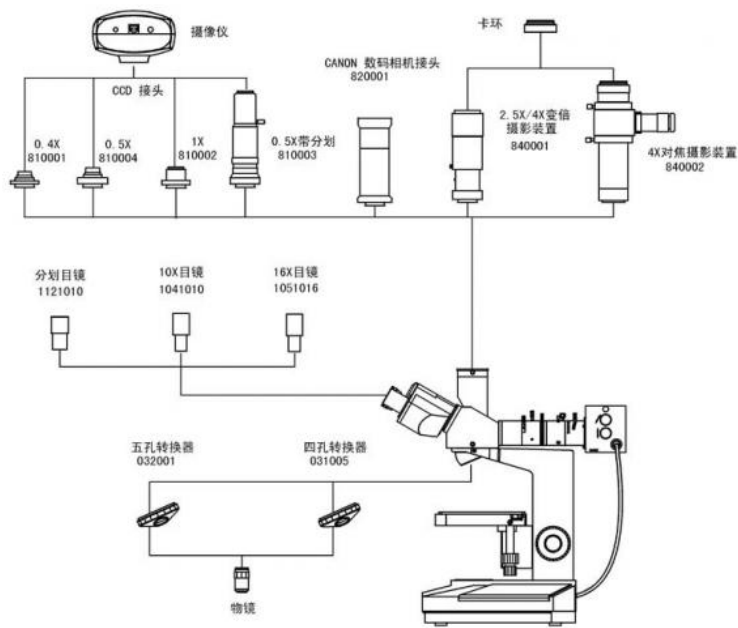
Product Size (mm)



Specifications:

Specification	A13.0202-A	A13.0202-B
Eyepiece	WF10X(Φ18mm)	
Objective	Plan long working distance (no cover glass) PL5x/0.12	Plan long working distance (no cover glass) PL5x/0.12
	Plan long working distance (no cover glass) PLL10x/0.25	Plan long working distance (no cover glass) PLL10x/0.25
		Plan long working distance (no cover glass) PLL20x/0.40
	Plan long working distance (no cover glass) PLL40x/0.60	Plan long working distance (no cover glass) PLL40x/0.60
	Plan long working distance (no cover glass) PL 60x/0.75 (Springl)	Plan long working distance (no cover glass) PL 60x/0.75 (Springl)
Head	Trinocular, inclination of 30°, analyzer with field diaphragm to switch	
Vertical illumination	6V 20W halogen lamp with brightness control	
	Vertical illumination with field diaphragm, aperture diaphragm and polarizer, (YBG) filter and frosted filter	
Focus System	Coaxial coarse/fine focus system, with tensional adjustable and up stop, minimum division of fine focusing: 2μm	
Nosepiece	Quadruple back ball bearing inner locating	Quintuple back ball bearing inner locating
Stage	Double layer mechanical, size 185x140mm, moving range 75x40mm	

Optional Accessories		Item No.
Eyepiece	Wide field WF16x/11mm	A51.0203-16A
	Dividing 10x, 0.1mm/Div	A51.0205-10
Objective	Plan long working distance (no cover glass) PLL50x/0.70	A5M.0212-50
	Plan long working distance (no cover glass) PLL80x/0.80	A5M.0212-80
	Plan long working distance (no cover glass) PLL100x/0.85(Spring)	A5M.0212-100
	Plan achromatic (no cover glass) PL100x/1.25	A5M.0234-100
CCD adapter	0.4x	A55.0202-1
	0.5x	A55.0202-4
	1x	A55.0202-2
	0.5x with dividing 0.1mm/Div	A55.0202-3
Photo Adapter	2.5x/4x change over photograph attachment with 10x viewing eyepiece	A55.0201-1
	4x Focusing photograph attachment	A55.0201-2
	MD adapter	A55.0201-3
	PK adapter	A55.0201-4
DC Adapter	Canon digital camera adapter (A610, A620, A630, A640)	A55.0204-11



Opto-Edu (Beijing) Co., Ltd.

☎ 0086 13911110627

✉ sale@optoedu.com

🌐 cnoec.com

F-1501 Wanda Plaza, No. 18 Shijingshan Road, Beijing 100043, China