

## OPTO-EDU A12.0921-T Nueva luz LED binocular avanzada biologico microscopio de laboratorio

Our Product Introduction

for more products please visit us on cnoec.com

### Basic Information

- Place of Origin: China
- Brand Name: CNOEC, OPTO-EDU
- Certification: CE, Rohs
- Model Number: A12.0921-T
- Minimum Order Quantity: 1 pc
- Price: FOB \$1~1000, Depend on Order Quantity
- Packaging Details: Carton Packing, For Export Transportation
- Delivery Time: 5~20 Days
- Payment Terms: T/T, West Union, Paypal
- Supply Ability: 5000 pcs/ Month



### Product Specification

- Applications: Laboratory|Hobby
- Certification: CE|Rohs
- Drawtube: Binocular|Trinocular
- Illumination: N.A.1.25 Compound Eye Illumination  
Condenser Group
- Product Name: Compound Optical Microscope
- Theory: Biological Microscope
- Highlight: **usb digital microscope,  
infinity plan microscope**



### Product Description

#### Biological Microscope, Infinity Plan, Binocular Head

Infinity Color Corrected Optical System For Bright Field  
Simple Polarizing, Dark Field, Phase Contrast Function Optional  
Abbe Condenser N.A.1.25 Preset Center, Optional Lifting Function  
Single High Brightness 3W LED Brightness Adjustable  
Wide Range 100~240V Power Supply

A12.0921 Series Biological Student Microscope	-B	-T	Cata. No.
---	----	----	-----------

Our Product Int

Optical System	Infinity Color Corrected Optical System	●	●	
Head	30° Inclined, Gemel Binocular Head, Interpupillary Distance 47~75mm	●		
	30° Inclined, Gemel Trinocular Head, Interpupillary Distance 47~75mm, Light Splitting Ratio R:T= 8.2		●	
Eyepiece	High Eye Point WF Plan Eyepiece PL10x/20mm, Diopter Adjustable	●	●	
	High Eye Point WF Plan Eyepiece PL10x/18mm, Diopter Adjustable	○	○	
Nosepiece	Reversed Quadruple Nosepiece	●	●	
	Reversed Quintuple Nosepiece	○	○	
	2x/0.06,W.D.=5.0mm	○	○	
Infinity Plan Achromatic Objective	4x/0.10, WD=11.9mm	●	●	A52.0906-4
	10x/0.25, WD=12.1mm	●	●	A52.0906-10
	20x/0.40,W.D.=1.6mm	○	○	
	40x/0.65, WD=0.36mm, Spring	●	●	A52.0906-40
	60X/0.85,WD=0.30mm, Spring	○	○	
	100x/1.25, WD=0.18mm, Spring, Oil	●	●	A52.0906-100
Focusing	Low Position Coaxial Focusing Mechanism, Coarse Range: 25mm, Fine Precision: 0.002mm, With Tension Adjustment And Upper Limit	●	●	
Working Stage	150mmx162mm Double Layer Stage, Moving Range:76mm-50mm, Precision 0.1mm ( X-Axis Single Track Transmission)	○	○	
	150mmx140mm Double Layer Stage, Moving Range:76mm-50mm, Precision 0.1mm (Triangular Guide Rail)	●	●	
Condenser	N.A.1.25 Compound Eye Illumination Condenser Group (With Plug-in Phase Contrast And Dark Field Accessories' Interface), Condenser Preset Center	●	●	
Filter	LBD,Dia.45mm	○	○	A56.0935-LBD
	Yellow,Dia.45mm	○	○	A56.0935-XYX
	Neutral,Dia.45mm	○	○	A56.0935-XYF
	IF550,Dia.45mm	○	○	A56.0935-550
Illumination	Single High Brightness 3W LED (Cold/Warm Color Optional, Cold Color Temperature 4750K-5500K, Warm Color Temperature 2850K-3250K) (Preset Center), Light Intensity Can Be Continuously Adjusted	●	●	
Power Supply	Adaptive 100V-240V Switching Power Supply	●	●	
Adapter	C-Mount Adapter 0.35x, Focusing Adjustable	○	○	A55.0931-35
	C-Mount Adapter 0.5x, Focusing Adjustable	○	○	A55.0931-05
	C-Mount Adapter 0.65x, Focusing Adjustable	○	○	A55.0931-65
	C-Mount Adapter 1.0x, Focusing Adjustable	○	○	A55.0931-10
Dark Field	Dark Field Slide	○	○	A5D.0915-K
Polarizing	Polarizer Dia.40, For Transmit Light Source, Place on Light Collector	○	○	A5P.0914-P
	Analyzer, Place Between Main Body & Head	○	○	A5P.0914-A
Phase Contrast	Phase Contrast Slide For 10x,40x	○	○	A5C.0915-P1
	Phase Contrast Slide For 20x,100x	○	○	A5C.0915-P1
	Infinity Plan Phase Contrast Objective 10x/0.25,W.D.=4.70mm	○	○	A5C.0937-10
	Infinity Plan Phase Contrast Objective 20x/0.50,W.D.=1.75mm	○	○	A5C.0937-20
	Infinity Plan Phase Contrast Objective 40x/0.65 ,W.D.=0.72mm	○	○	A5C.0937-40
	Infinity Plan Phase Contrast Objective 100x/1.25 ,W.D.=0.15mm	○	○	A5C.0937-100
Remark: ● Means Standard Outfit,○ Means Optional Accessory				

**A12.0921****Biological Microscope, Binocular & Trinocular**

Model	Magnification	N.A. (mm)	WD (mm)	Coverslip Thickness (mm)	Immersion Liquid	Spring
PLAN Infinity Plan Achromatic Objective Series	4x	0.10	11.9	/	/	/
	10x	0.25	12.1	/	/	/
	20x	0.40	1.56	0.17	/	/
	40x	0.65	0.36	0.17	/	Yes
	60x	0.85	0.3	0.17	/	Yes
	100x	1.25	0.21	0.17	Oil	Yes
PLAN-PH2 Infinity Plan Positive Phase Contrast Objective Series	10x	0.25	12.1	/	/	/
	20x	0.40	1.56	0.17	/	/
	40x	0.65	0.36	0.17	/	Yes
	100x	1.25	0.21	0.17	Oil	Yes

**A12.0921 Biological Microscope**

A12.0921-B



A12.0921-T

## A12.0921 Biological Microscope

With infinity color correction optical system and excellent compound eye illumination system, A12.0921 can get uniform illumination, clear and bright images at any magnification. User-friendly design, simple and convenient operation



**Opto-Edu (Beijing) Co., Ltd.**

☎ 0086 13911110627

✉ [sale@optoedu.com](mailto:sale@optoedu.com)

F-1501 Wanda Plaza, No. 18  
Shijingshan Road,  
Beijing 100043,  
China





**Body**

Body adopts a smooth curve design, eliminating all sharp edges; the frame is hollowed out, increasing the position of handles for easy handling



**N.A.1.25 Condenser**

With Plug-in Phase Contrast And Dark Field Accessories' Interface



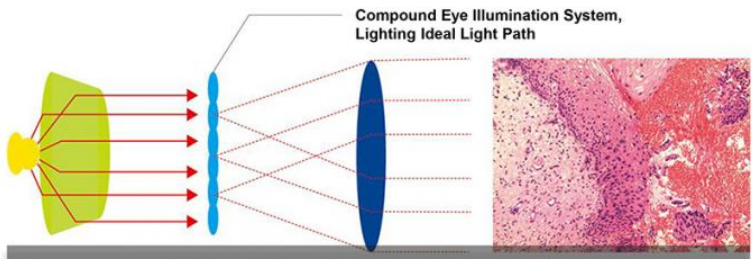
**Power Wire Easy to Store**

Which makes full use of the built-in space of the body and can be used to store the power cord conveniently



**A5C.0937**  
Infinity Plan Phase Contrast Objective  
10x, 20x, 40x, 100x

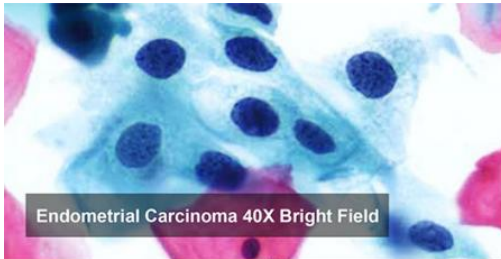
**A52.0906**  
Infinity Plan Achromatic Objective  
4x, 10x, 20x, 40x, 60x, 100x



**Compound Eye Illumination System,  
Lighting Ideal Light Path**

**Compound Eye Illumination System**

A12.0921 adopts the compound eye illumination system to improve the contrast rate and effectively improve the illumination uniformity of the specimen surface. Even at the edge of the field of view, uniform and bright background brightness can be achieved under any magnification.



Endometrial Carcinoma 40X Bright Field

### Bright Field Observation

The compound eye illumination system is equipped with professional plan achromatic objectives and has bright imaging. It can be used to observe cell structures and analyze plant slices.

### Phase Contrast Observation

It is applicable to observe the specimens with high transparency, such as cells, bacteria and other small, transparent objects in biological specimens.



Adherent Cells 10X Phase Contrast



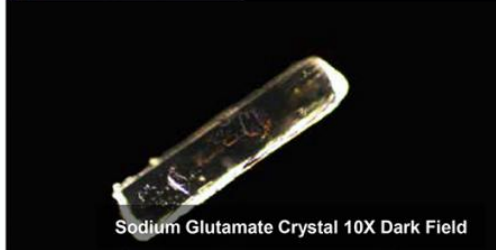
Pine Needles 10X Polarization

### Simple Polarization Observation

It can judge substances with birefringence characteristic such as animals, plant cells and humoral crystals.

### Dark Field Observation

There is no need to replace the special dark field condenser, as long as the dark field accessories are inserted into the condenser and the diaphragm is switched, the dark field lighting can be realized.



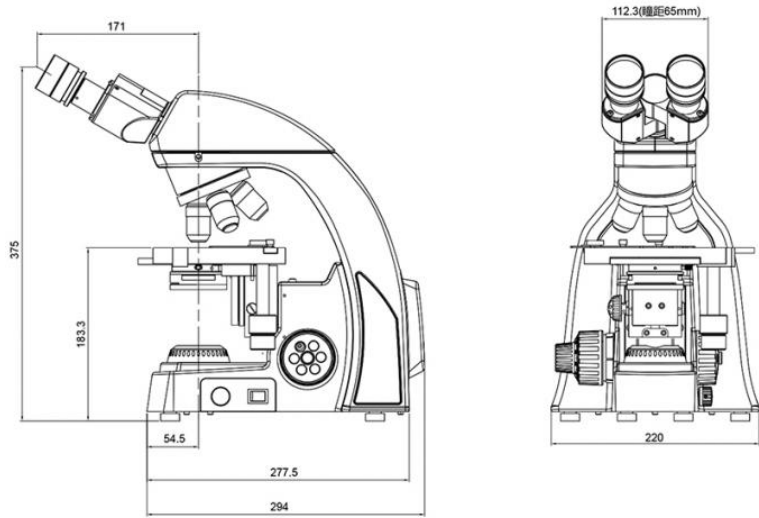
Sodium Glutamate Crystal 10X Dark Field



**LCD Digital Camera**

Use A59.3520 LCD Digital Camera to Take Picture & Video Easily, Share Clear Image on Screen!

**Product Size(mm)**



# System Diagram

