



A12.1036 Double Layers Mechanical Stage Biological Compound Microscope With Infintiry Optical System

Our Product Introduction

Basic Information

- Place of Origin: China
- Brand Name: CNOEC
- Certification: CE
- Model Number: A12.1036
- Minimum Order Quantity: 1
- Price: Negotiation
- Packaging Details: Carton
- Delivery Time: 1month
- Payment Terms: T/T, West Union and Paypal
- Supply Ability: 10000



Product Specification

- Product Name: Microscope
- Theory: Biological Microscope
- Optical System: Infintiry Optical System
- Stage: Double Layers Mechanical Stage
- Focusing: Coaxial Coarse And Fine Adjustment
- Condenser: Abbe Condenser N.A.1.25
- Highlight: **high powered microscope , binocular biological microscope**



for more products please visit us on cnoec.com

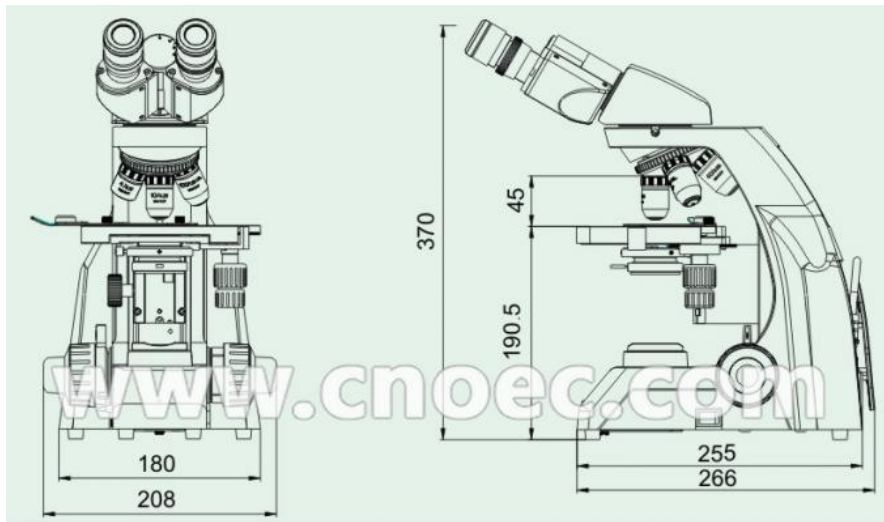
Product Description

A12.1036 Double Layers Mechanical Stage Biological Compound Microscope With Infintiry Optical System

Specification

A12.1036 Biological Microscope		B	T	BE	TE
Optical System	Infinite Optical System				
Eyepiece	WF10X/20				
Viewing Head	Monocular Head Inclined at 30°	○	○	○	○
	Seidentopf Binocular Viewing Head Inclined at 30°, Interpupillary 47-78mm	●		●	
	Seidentopf Trinocular Viewing Head Inclined at 30°, Interpupillary 47-78mm		●		●
	Digital Viewing Head Inclined at 30°, Interpupillary 47-78mm, 5M pixels, Support Wifi	○	○	○	○
	Digital Viewing Head Inclined at 30°, Interpupillary 47-78mm, 5M pixels, 8" LCD. Android OS	○	○	○	○
Infinity Semi-Plan Achromatic Objective	4X N.A=0.1 WD=25.4	●	●	●	●
	10X N.A=0.25 WD=11	●	●	●	●
	20X N.A=0.4 WD=13	○	○	○	○
	40X N.A=0.4 WD=6.06	●	●	●	●
	100X N.A=0.6 WD=3.7	●	●	●	●
Nosepiece	Backward Quadruple Nosepiece	●	●	●	●
Stage	Double Layers Mechanical Stage 150X139mm, Moving Range 75X52mm				
Condenser	NA1.25 Abbe Condenser	●	●	●	●
	Dark Field Condenser (Dry, Oil)	○	○	○	○
Focusing System	Coaxial Coarse and Fine Adjustment, Fine Division 0.002mm, Moving Range 25mm				
Illumination	Halogen Lamp 6V/20W	○	○	○	○
	S-LED Illumination	●	●	●	●
	S-LED Illumination with Recharger	○	○	○	○
	Kohler Illumination	○	○	○	○
	ECO Function (Auto Power Off After 30 Mins No Operation)	○	○	●	●
	Plane-concave Mirror	○	○	○	○
Fluorescent Attachment	Fluorescent Illumination, LED Lamp	○	○	○	○
	Fluorescent Illumination, 100W HBOLamp	○	○	○	○
Polarzation Set		○	○	○	○
Phase Contrast Kit		○	○	○	○

Note: ● Standar Outfit , ○ Optional



A12.1036 Biological Microscope Size



A12.1036-B



A12.1036-BE ECO



A12.1036 Back View



Comfortable Operation with Low Position Focusing Knobs



Opto-Edu (Beijing) Co., Ltd.

☎ 0086 13911110627

✉ sale@optoedu.com

🌐 cnoec.com

F-1501 Wanda Plaza, No. 18 Shijingshan Road, Beijing 100043, China