



5.0M C - Mount Digital Microscope Camera With Maximum Resolution 2592 x 1944 A59.4910

Our Product Introduction

Basic Information

- Place of Origin: China
- Brand Name: CNOEC, OPTO-EDU
- Certification: CE, Rohs
- Model Number: A59.4910
- Minimum Order Quantity: 1 pc
- Price: FOB \$1~1000, Depend on Order Quantity
- Packaging Details: Carton Packing, For Export Transportation
- Delivery Time: 5~20 Days
- Payment Terms: T/T, West Union, Paypal
- Supply Ability: 5000 pcs/ Month



Product Specification

- Theory: Digital Camera
- Resolution: 2592 X 1944
- Observe Methods: Picture And Video
- Imaging Sensor: Colorful
- Scan Mode: Scan Line By Line
- Operation Software: Microsoft®Windows®XP / 7 / 8 / 8.1/10(32 & 64 Bit)
- Highlight: **compound microscope parts, parts of the microscope**



for more products please visit us on cnoec.com

Product Description

5.0M C-Mount Digital Microscope Camera With Maximum Resolution 2592 x 1944 A59.4910

Introduction

A59.4910 Camera eyepiece is upgrade version of A59.4904. It can be connected to any standard trinocular biological microscopes, stereo microscopes, metallographic microscopes, etc. It has advantages of high frame rate, very nice color performance, clear image, convenient storage, widely used in industrial inspection, teaching research, clinical test, material analysis, machine vision, etc. A59.4910 has compact design, with USB cable (demountable and non-demountable USB cable available), users just need to plug and play. It's an ideal microscopic imaging system.

Features

- High resolution, 5.0Mega Pixels.
- USB 2.0 connection.
- User friendly software for Microsoft ® Windows ® XP / 7/8/7/8 (32 & 64 bit) systems.
- The software is not only provide snapshot, record, zoom control, contrast, brightness, saturation, but also professional measurement functions.

Specification

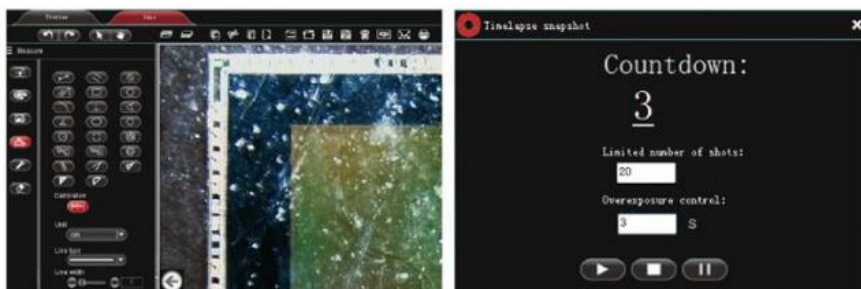
A59.4910 Hardware Configuration	
Image Sensor	Color
Expose	Rolling Shutter
Maximum Resolution	2592x1944(5,038,848 Pixels)
Sensor Optical Format	1/2.5" (5.70mm(H) x 4.28mm(V), Diagonal 7.13mm)
Pixel Size	2.2µm x 2.2µm(BSI)
Dynamic Range	74.3 dB Linear, More Than 96 dB (Interleaved)
SNRmax	40dB
Spectral Chararistics	380-650nm
Exposure Capability	3.9ms-320ms, Automatic And Manual
White Balance	Automatic And Manual
Preview Modes	30FPS @2592X1944, 30FPS @1920X1080 30FPS @800X600, 640X480
Record Format	Snapshot Picture Format: JPG, BMP, PNG, TIFF, PDF Resolution: 2592x1944, 1920x1080, 800x600, 640x480 Record Video Format: MJPG Format AVI File Resolution: 1920x1080, 800x600, 640x480
Software Environment	
Windows System Demand	Microsoft®Windows® XP/7/8/8.1/10 (32&64 Bit)
	CPU: Equal Or More Than The Second Generation Intel Core 2.8GHz
	Memory: 2G Or More
	USB Port: USB 2.0 High Speed Port Or Compatible Port Displayer: Suggest 17 Inches Or Larger
Operating Environment	
Operating Temperature	0°C-40°C
Storage Temperature	-20°C-60°C
Operating Humidity	30-80%RH
Storage Humidity	10-60%RH
Power Supply	Direcct-Current 5V, Supply By USB Port



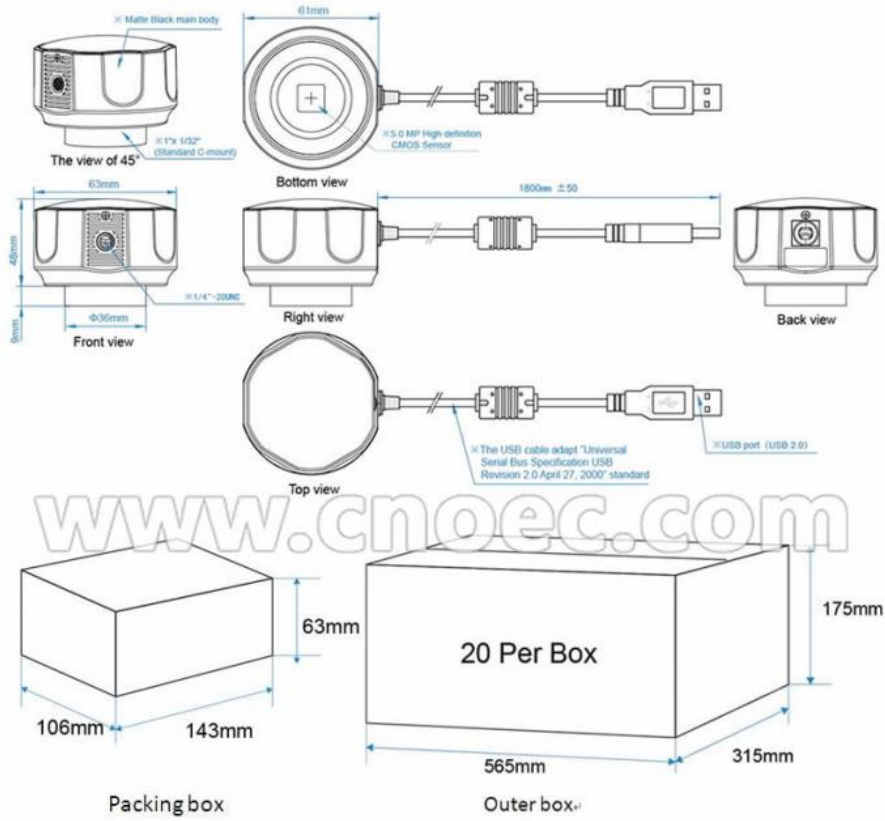
A59.4910 Digital Camera, 5.0M, 720p, C Mount



A59.4910 Digital Camera, 5.0M, 720p, C Mount



A59.4910 Digital Camera Size And Packaging



Opto-Edu (Beijing) Co., Ltd.

☎ 0086 13911110627

✉ sale@optoedu.com

🌐 cnoec.com

F-1501 Wanda Plaza, No. 18 Shijingshan Road, Beijing 100043, China